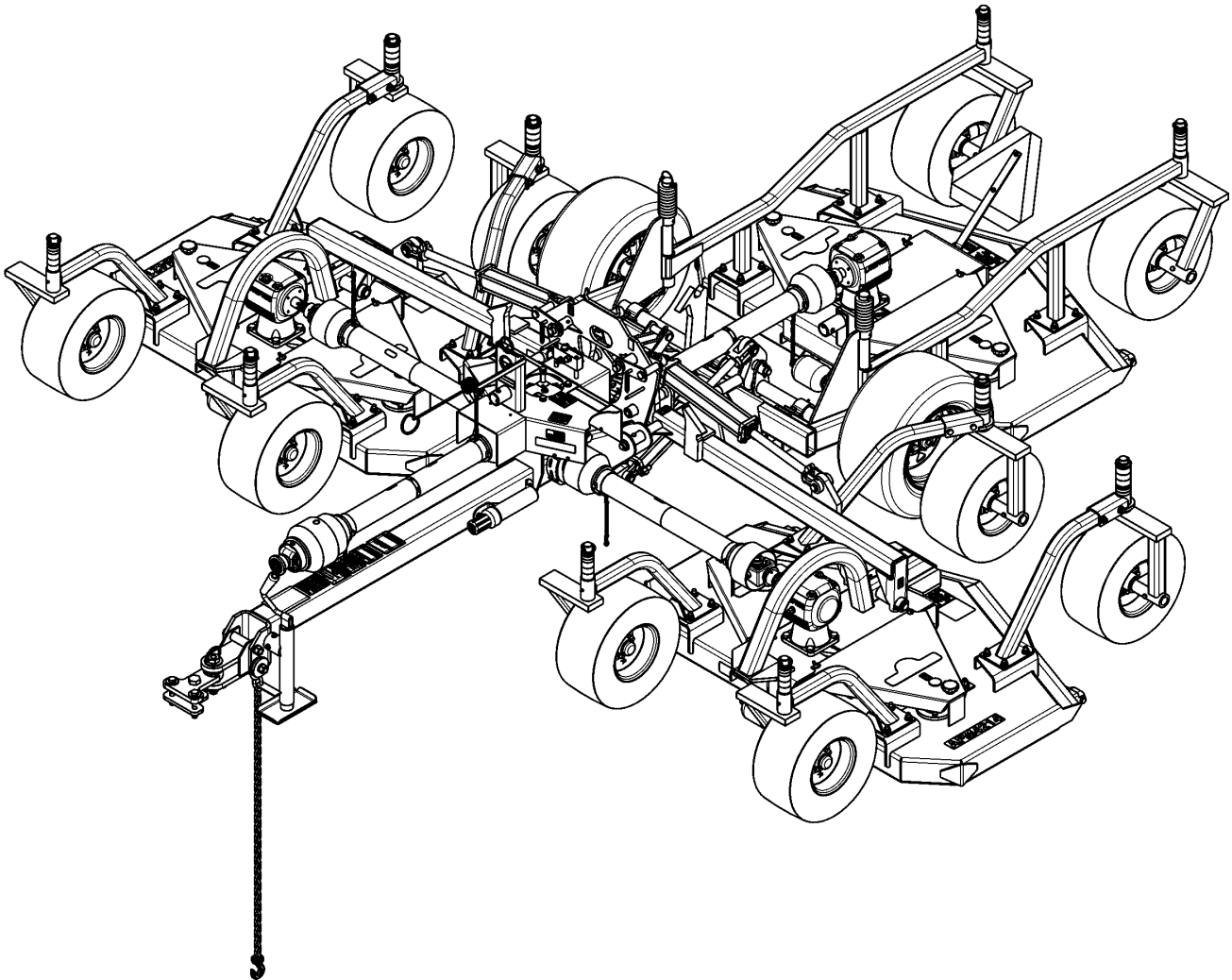


All-Flex Mower

AFM4214



25929

315-627P Parts Manual



Read the Operator's manual entirely. When you see this symbol, the subsequent instructions and warnings are serious - follow without exception. Your life and the lives of others depend on it!

© Copyright 2007 Printed 06/26/08

Cover photo may show optional equipment not supplied with standard unit.





Table of Contents

Section 1: Introduction.....	4	Section 7: Hydraulics.....	68
Using This Manual.....	4	Hydraulic Arrangement.....	68
Manual Replacement Information.....	4	Hydraulic Cylinder (810-150C) Cross.....	70
Manual Revisions.....	4	Hydraulic Cylinder (810-150C) Midway.....	72
Touch-up Paint.....	4	Hydraulic Cylinder (810-150C) Red Lion.....	74
Hardware Legend.....	5	Hydraulic Cylinder (810-200C) Midway.....	76
Replacement Hardware.....	5	Hydraulic Cylinder (810-200C) Red Lion.....	78
Serial Numbers.....	5	Section 8: Labels.....	80
Part Number Service Coding.....	5	Label Placement Decks.....	80
Section 2: Frame.....	6	Label Placement Transport Frame.....	82
Center Deck Pivot.....	6		
Frame.....	8		
Pull Latch Cord Lock-Up.....	10		
Right Hand and Left Deck Pivot.....	12		
Transport Frame Tire and Hub (814-100C; 815-052C).....	14		
Section 3: Drivelines.....	16	Part Number Index.....	84
Driveline Arrangement.....	16		
Driveline Center Deck (826-371C) Eurocardan.....	18		
Driveline Center Deck W/Clutch (826-111C)			
Walterscheid.....	20		
Driveline CV (826-143C) Walterscheid.....	22		
Driveline CV W/ Clutch (826-370C) Eurocardan.....	24		
Driveline Left & Right Hand Deck (826-374C)			
Eurocardan.....	26		
Driveline Left & Right Hand Deck W/Clutch (826-144C)			
Walterscheid.....	28		
Driveline Slip Clutch (053314) Walterscheid.....	30		
Driveline Slip Clutch (1466305) Eurocardan.....	32		
Driveline Slip Clutch (1466607) Eurocardan.....	34		
Section 4: Decks.....	36		
Belt Drive Center and Right Hand Deck.....	36		
Belt Drive Left Hand Deck.....	38		
Channel Center Deck.....	40		
Channel Left Hand Deck.....	42		
Channel Right Hand Deck.....	44		
Deck and Roller.....	46		
Section 5: Gauge Wheels.....	48		
Gauge Wheel (15" Dia) Center Deck.....	48		
Gauge Wheel (15" Dia) Left & Right Deck.....	50		
Gauge Wheel (18" Dia) Center Deck.....	54		
Gauge Wheel (18" Dia) Left & Right Deck.....	56		
Tire & Wheel 18 X 9.50-8 (814-118C).....	60		
Section 6: Gear Boxes.....	62		
Gearbox 4-Way Splitter (826-274C) OMNI (S/N			
272760+).....	62		
Gearbox Center & Right Deck (826-327C) Comer (S/N			
368118 +).....	64		
Gearbox Left Deck (826-326C) Comer (S/N 368118+).....	66		

© Copyright 2007. All rights reserved.

Land Pride provides this publication "as is" without warranty of any kind, either expressed or implied. While every precaution has been taken in the preparation of this manual, Land Pride assumes no responsibility for errors or omissions. Neither is any liability assumed for damages resulting from the use of the information contained herein. Land Pride reserves the right to revise and improve its products as it sees fit. This publication describes the state of this product at the time of its publication, and may not reflect the product in the future. The illustrations in this manual are not intended for safe and proper assembly or disassembly of equipment. The illustrations are intended for ordering parts only.

Land Pride is registered trademark.

All other brands and product names are trademarks or registered trademarks of their respective holders.

Printed in the United States of America.



Alphabetized Table of Contents

B	Belt Drive Center and Right Hand Deck.....36	R	Right Hand and Left Deck Pivot.....12
	Belt Drive Left Hand Deck.....38		
C	Center Deck Pivot.....6	T	Tire & Wheel 18 X 9.50-8 (814-118C).....60
	Channel Center Deck.....40		Transport Frame Tire and Hub (814-100C; 815-052C).....14
	Channel Left Hand Deck.....42		
	Channel Right Hand Deck.....44		
D	Deck and Roller.....46		
	Driveline Arrangement.....16		
	Driveline Center Deck (826-371C) Eurocardan.....18		
	Driveline Center Deck W/Clutch (826-111C) Walterscheid.....20		
	Driveline CV (826-143C) Walterscheid.....22		
	Driveline CV W/ Clutch (826-370C) Eurocardan.....24		
	Driveline Left & Right Hand Deck (826-374C) Eurocardan.....26		
	Driveline Left & Right Hand Deck W/Clutch (826-144C) Walterscheid.....28		
	Driveline Slip Clutch (053314) Walterscheid.....30		
	Driveline Slip Clutch (1466305) Eurocardan.....32		
	Driveline Slip Clutch (1466607) Eurocardan.....34		
F	Frame.....8		
G	Gauge Wheel (15" Dia) Center Deck.....48		
	Gauge Wheel (15" Dia) Left & Right Deck.....50		
	Gauge Wheel (18" Dia) Center Deck.....54		
	Gauge Wheel (18" Dia) Left & Right Deck.....56		
	Gearbox 4-Way Splitter (826-274C) OMNI (S/N 272760+).....62		
	Gearbox Center & Right Deck (826-327C) Comer (S/N 368118 +).....64		
	Gearbox Left Deck (826-326C) Comer (S/N 368118+).....66		
H	Hydraulic Arrangement.....68		
	Hydraulic Cylinder (810-150C) Cross.....70		
	Hydraulic Cylinder (810-150C) Midway.....72		
	Hydraulic Cylinder (810-150C) Red Lion.....74		
	Hydraulic Cylinder (810-200C) Midway.....76		
	Hydraulic Cylinder (810-200C) Red Lion.....78		
L	Label Placement Decks.....80		
	Label Placement Transport Frame.....82		
P	Pull Latch Cord Lock-Up.....10		

General Information

Using This Manual

This manual is divided into sections. The first section contains General Information. The remaining sections divide the machine into segments (i.e. Frames, Drives, Hydraulics, etc.) which illustrate and list all parts. A Parts Number Index is located at the back of the book.

The Land Pride parts in this manual are specially designed for this machine and should be replaced with Land Pride parts only.

The information in this manual is current at time of printing. Some parts may change to assure top performance.

Right-hand and left-hand as used in this manual are determined by facing the direction the machine will travel while in use.

Below is an example of two facing pages from a parts manual. Familiarize yourself with the type of information contained on these pages.

Manual Replacement Information

Replacement manuals are available. Refer to our website at www.landpride.com, the Land Pride Support Center CD or e-mail us at lit@landpride.com for additional information. Our website continues to provide the most up-to-date manuals available.

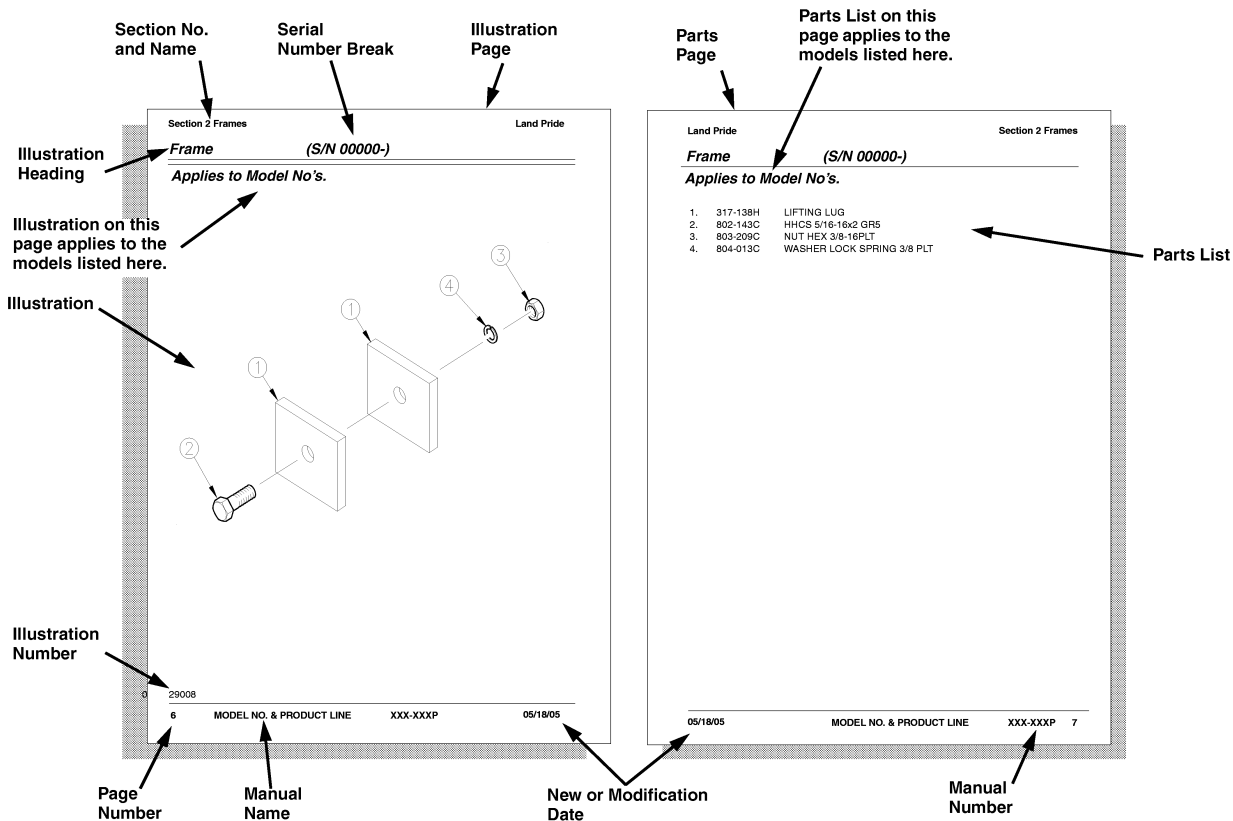
Touch-up Paint

Repaint parts where paint is worn or scratched to prevent rust. Aerosol cans and touch-up bottles with brush applicator are available through your local dealer. Land Pride color descriptions and part numbers are listed below. Also available are quart and gallon size paints. Add QT or GL to end of the Aerosol P/N.

Color	Product ¹	Aerosol	Touch-Up
Gloss Black	LP	821-032C	821-032CTU
Medium Gloss Black	UV	821-053C	821-053CTU
Beige	LP	821-011C	821-011CTU
Green	SLP	821-058C	821-058CTU
Orange	SLP	821-066C	821-066CTU
Red	SLP/UV	821-054C	821-054CTU
Blue	SLP/UV	821-067C	821-067CTU
Dark Green Sparkle	UV	821-055C	821-055CTU
Gondo Forest Green	UV	821-057C	821-057CTU
Brite Yellow ²	UV	821-056C	821-056CTU
Gondo Yellow ³	UV	821-059C	821-059CTU

Notes:

- 1 LP = All Land Pride Products except Utility Vehicles
SLP = Select Land Pride Products that are available in optional Green, Orange, Red, & Blue colors.
UV = Utility Vehicles
- 2 Used on Trekers and (Runabouts with S/N 407628-)
- 3 Used on Gondos and (Runabouts with S/N 407629+)



General Information

Hardware Legend

AR	As Required
BLADE	Blade Bolt
C	Cap Screw
CP	Cotter Pin
CPHSSS	Cup Point Hex Socket Set Screw
CPSHSS	Cup Point Square Head Set Screw
CPSQHSS	Cup Point Square Head Set Screw
CRFCHMS3	Cross Recess Flat Countersunk Head Machine Screw
CRPHMS	Cross Recess Pan Head Machine Screw
CRPHTF	Cross Recess Pan Head Thread Forming
CRRHMS	Cross Recess Round Head Machine Screw
CRTHMS	Cross Recess Truss Head Machine Screw
CSNB	Countersunk Square Neck Bolt
FHMS	Flat Head Machine Screw
FTC	Full Thread Cap Screw
H	Hex Nut
HCLN	Hex Center Lock Nut
HFLCS	Hex Flange Lock Cap Screw
HFS	Hex Flange Screw
HFSLN	Hex Flange Serrated Lock Nut
HFSS	Hex Flange Serrated Screw
HHCS	Hex Head Cap Screw or Metric Bolt
HSBHCS	Hex Socket Button Head Cap Screw
HSFCHCS	Hex Socket Flat Countersunk Head Cap Screw
HSHCS	Hex Socket Head Cap Screw
HSSS	Hex Socket Head Screw
HTLN	Hex Top Lock Nut
HWHCS	Hex Washer Head Cap Screw

HWHMS	Hex Washer Head Machine Screw
HXBHCS	Hex Socket Button Head Cap Screw
J	Hex Jam Nut
JIC	37 Degree Tapered Thread
L	Helical Spring Lock Washer
LUG	Lug Bolt
NFC	National Fine Cap Screw
NPSM	National Pipe Straight Mechanical
NPTF	National Pipe Taper Fuel
P	Wide Plain Washer
PHMS	Pan Head Machine Screw
PLOW	Plow Bolt
RHMS	Round Head Machine Screw
RHSNB	Round Head Square Neck Bolt
SCREW LEVELING	Leveling Screw
SCREW THUMB	Thumb Screw
SCREW WELD	Weld Screw
SFCHMS	Slotted Flat Countersunk Head Machine Screw
SFHMS	Slotted Fillister Head Machine Screw
SP	Special
SP SCREW	Special Screw
SQHSS	Square Head Set Screw
SRHMS	Slotted Round Head Machine Screw
SSS	Socket Set Screw
STCS	Self Tapping Cap Screw
STHMS	Slotted Truss Head Machine Screw
WHEEL	Wheel Studs and Hub Long Bolts
WING	Wing Bolt

Replacement Hardware

The **Hardware Legend** above lists hardware abbreviations used in the parts list. All bolts and nuts are Grade 5 unless otherwise noted. The use of improper grades of hardware can result in personal injury, damage to equipment, or loss of property.

Colored Replacement Parts

Land Pride offers replacement parts in factory standard colors and also on select models in Green, Orange, Red and Blue. Because of the variety of colors available, special attention must be given to the part number to prevent ordering the wrong replacement part.

A suffix number corresponding to one of the colors below must be added at the end of Land Pride's part number when ordering a replacement part with that color.

81 Green 83 Red
82 Orange 84 Blue

For example, if you are ordering a replacement part with part number 555-555C and the part you need is red, then add the suffix 83 to the end of the number to make the part number read 555-555C83. Parts ordered without a suffix number will be supplied in factory standard colors.

Black Replacement Parts

Some parts are factory standard black and some must be special ordered black. If your part is special ordered black, a second part number with the additional suffix number 85 on the end will be available. In this situation you must order that part with the suffix number for it to be black. Parts that are factory standard black will not have the suffix number.

Part Number Service Coding

Within the parts list some part numbers are coded for revisions and interchangeability. See notations in revision column.

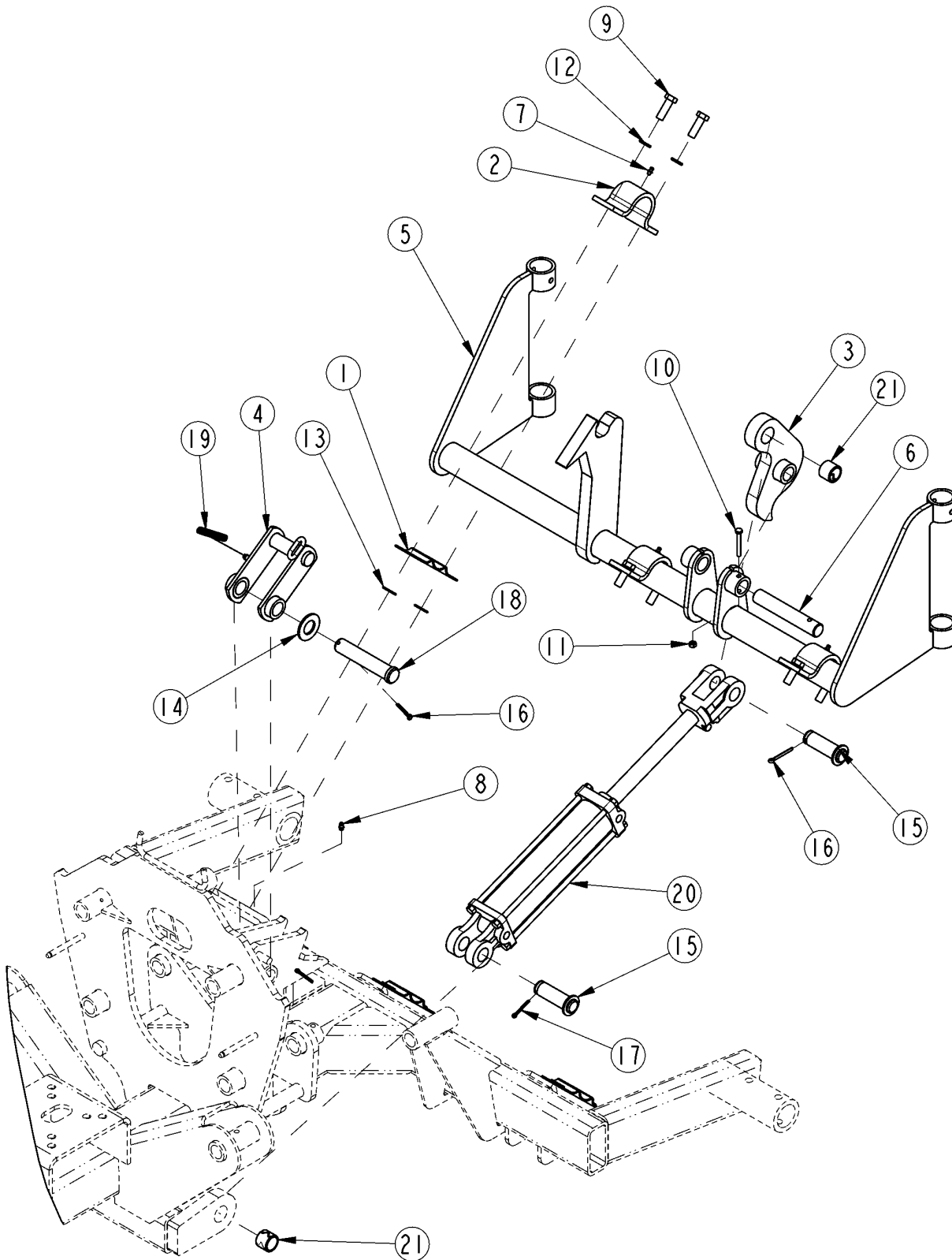
Serial Numbers

Always use the serial and model number when ordering parts. Refer to the Operator's Manual for serial number plate location.

- | | |
|----------------------|--|
| (S/N 20001+) | Includes serial numbers 20001 and above (to the latest number) |
| (S/N 10001 to 20000) | Includes serial numbers between and including 10001 and 20000 |
| (S/N 10000-) | Includes serial numbers 10000 and below (to the earliest number) |

Center Deck Pivot

Applies to AFM4214



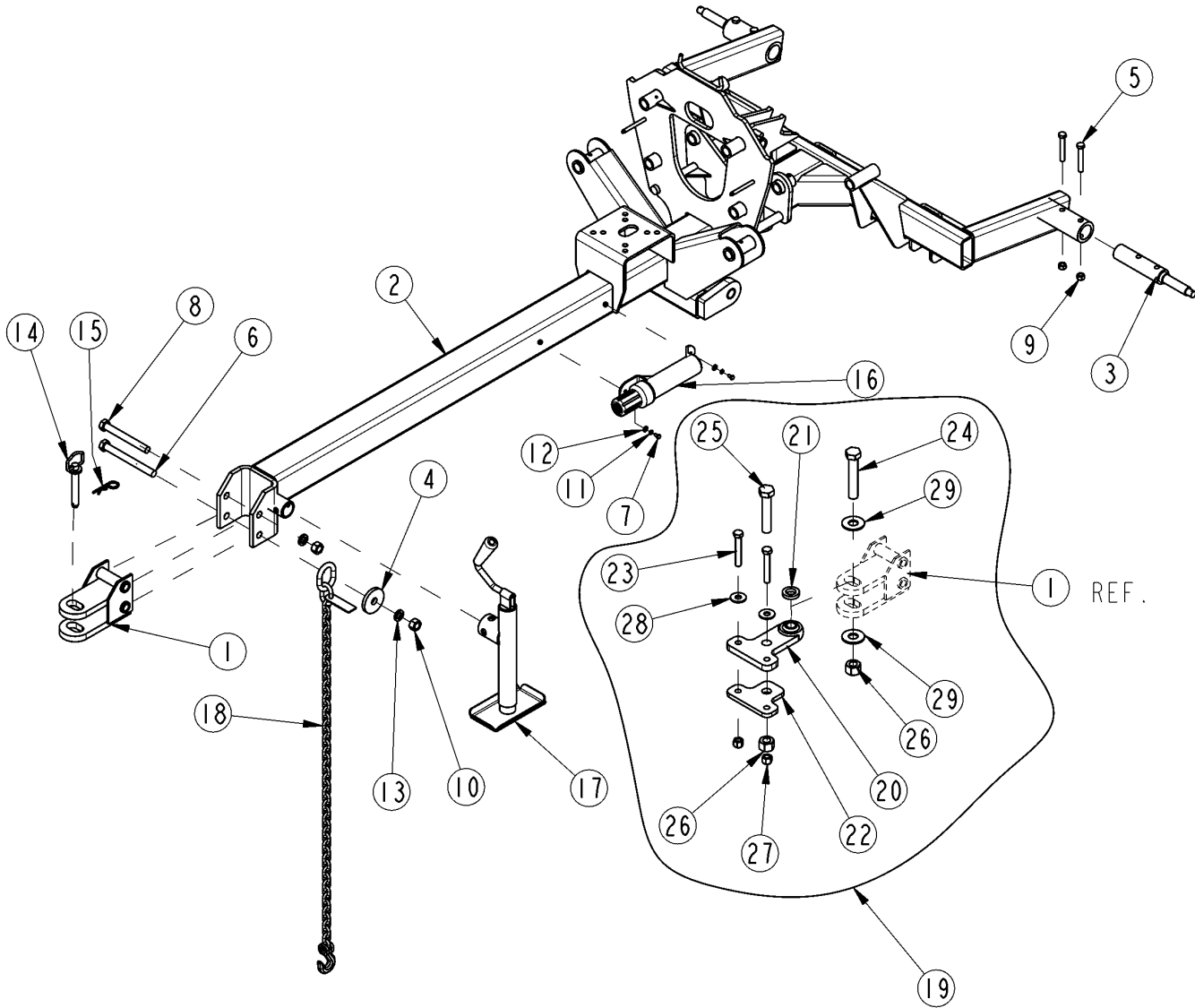
25909

Center Deck Pivot**Applies to AFM4214**

Ref	Part No.	Part Description	Comments	Revision
	dwg25909	Drawing Image Number		
1.	175-060D	PIVOT TUBE WEAR PAD		
2.	175-061D	PUSH, PVT TB HALF CLMP		
3.	315-183H	REAR DECK CYL LUG WELD		
4.	315-186H	FLIP LATCH WLDMNT RH		
5.	315-420H	AFM4014 & 16 REAR DECK PIVOT		
6.	315-487D	REAR DECK CYL LUG PIN		
7.	800-001C	GREASE ZERK STRAIGHT 1/4-28		
8.	800-080C	GREASE ZERK 1/4-28 THD FORMING		
9.	802-091C	HHCS 1/2-13X1 1/2 GR5		
10.	802-152C	HHCS 1/4-20X2 GR5		
11.	803-007C	NUT LOCK 1/4-20 PLT		
12.	804-015C	WASHER LOCK SPRING 1/2 PLT		
13.	804-016C	WASHER FLAT 1/2 SAE PLT		
14.	804-029C	WASHER FLAT 1 SAE		
15.	805-004C	PIN CLEVIS 1 X 2 3/4 USABLE LG		
16.	805-017C	PIN COTTER 3/16 X 1 3/4 PLT		
17.	805-045C	PIN COTTER 5/32 X 1 1/4 LG		
18.	805-131C	PIN CLEVIS 1 X 4 11/16 USABLE		
19.	807-026C	PIVOT STOP SPRING		
20.	810-200C	CYL 2.5X8X1.12 ROD (TIE)1 PIN		
21.	890-005C	BUSHING CYL 1 1/4 X 1 X 1		

Frame

Applies to AFM4214



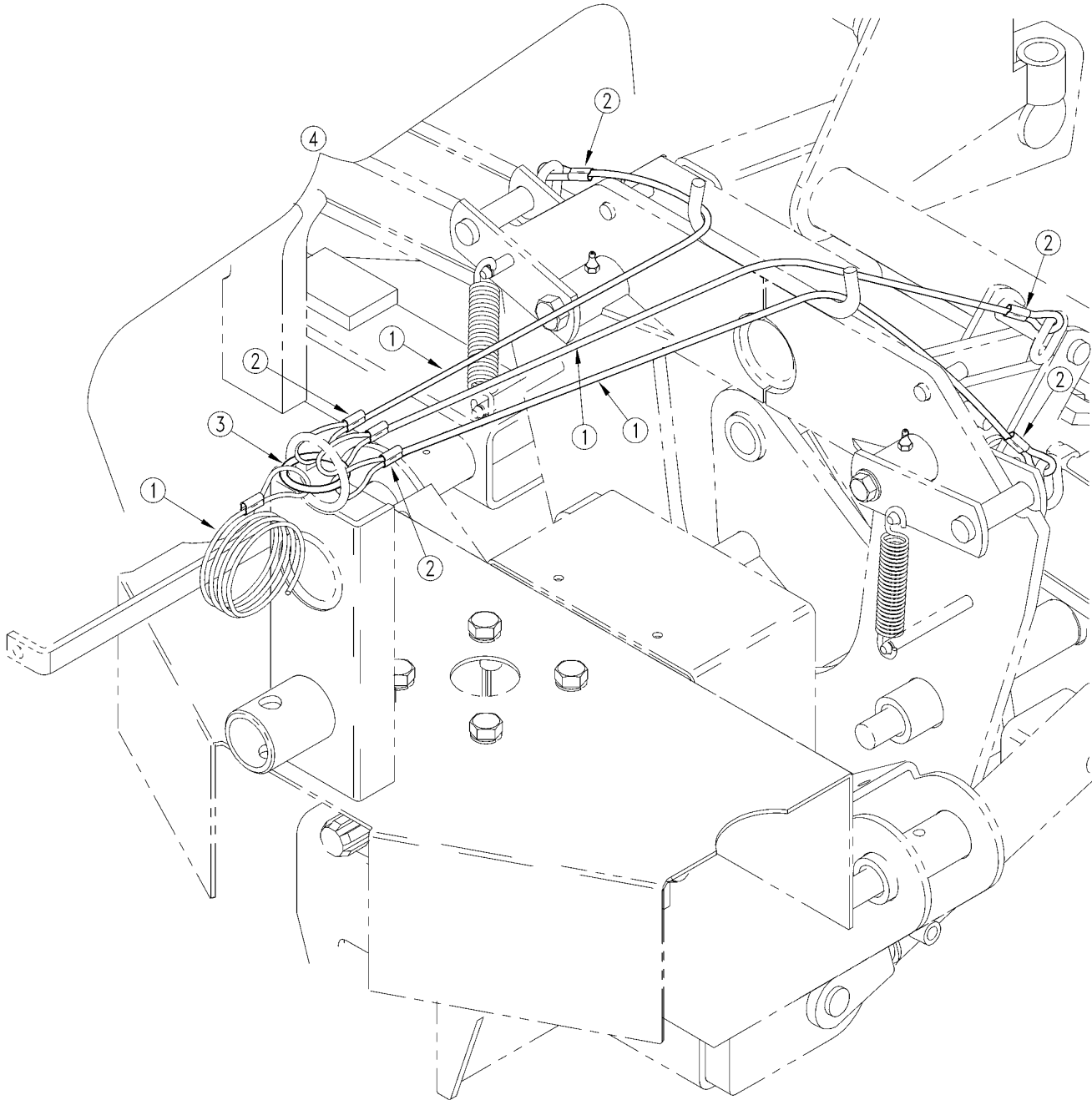
25910

Frame**Applies to AFM4214**

Ref	Part No.	Part Description	Comments	Revision
	dwg25910	Drawing Image Number		
1.	315-274H	FRONT HITCH LUG WELDMENT		
2.	315-450H	AFM14/16 TRANSPORT FRAME		
3.	315-821D	AFM14/16 BOLT-IN SPINDLE		
4.	401-372D	WASHER, SAFETY CHAIN		
5.	802-099C	HHCS 1/2-13X3 1/4 GR5		
6.	802-280C	HHCS 3/4-10X7 1/2 GR5		
7.	802-283C	HHCS 1/4-20X1/2 GR2		
8.	802-360C	HHCS 3/4-10X6 1/2 GR5		
9.	803-019C	NUT LOCK 1/2-13 PLT		
10.	803-027C	NUT HEX 3/4-10 PLT		
11.	804-006C	WASHER LOCK SPRING 1/4 PLT		
12.	804-007C	WASHER FLAT 1/4 SAE PLT		
13.	804-023C	WASHER LOCK SPRING 3/4 PLT		
14.	805-081C	PIN HITCH 3/4 X 4 3/8		
15.	805-088C	PIN, HAIR COTTER 3/16 WIRE DIA		
16.	816-504C	MANUAL STORAGE CONTAINER		
17.	890-118C	SCREW JACK 2000# 14-24 TOP-WND		
18.	890-182C	SAFETY CHAIN 10000 LB		
19.	315-370A	BALL SWIVEL HITCH ASSEMBLY	Optional Ball Swivel Hitch Includes items 20 thru 29	
20.	315-369H	BALL SWIVEL MOUNT PLATE		
21.	315-753D	HITCH SPACER TUBE		
22.	315-754D	BALL SWIVEL MOUNT BOTTOM PLATE		
23.	802-060C	HHCS 5/8-11X4 GR5		
24.	802-205C	HHCS 1-8X5 1/2 GR5		
25.	802-235C	HHCS 1-8X5 GR5		
26.	803-038C	NUT HEX 1-8 NYLON INSERT PLT		
27.	803-148C	NUT HEX NYLOCK 5/8-11 PLT		
28.	804-019C	WASHER FLAT 5/8 USS PLT		
29.	804-028C	WASHER FLAT 1 USS PLT		

Pull Latch Cord Lock-Up

Applies to AFM4214



13552

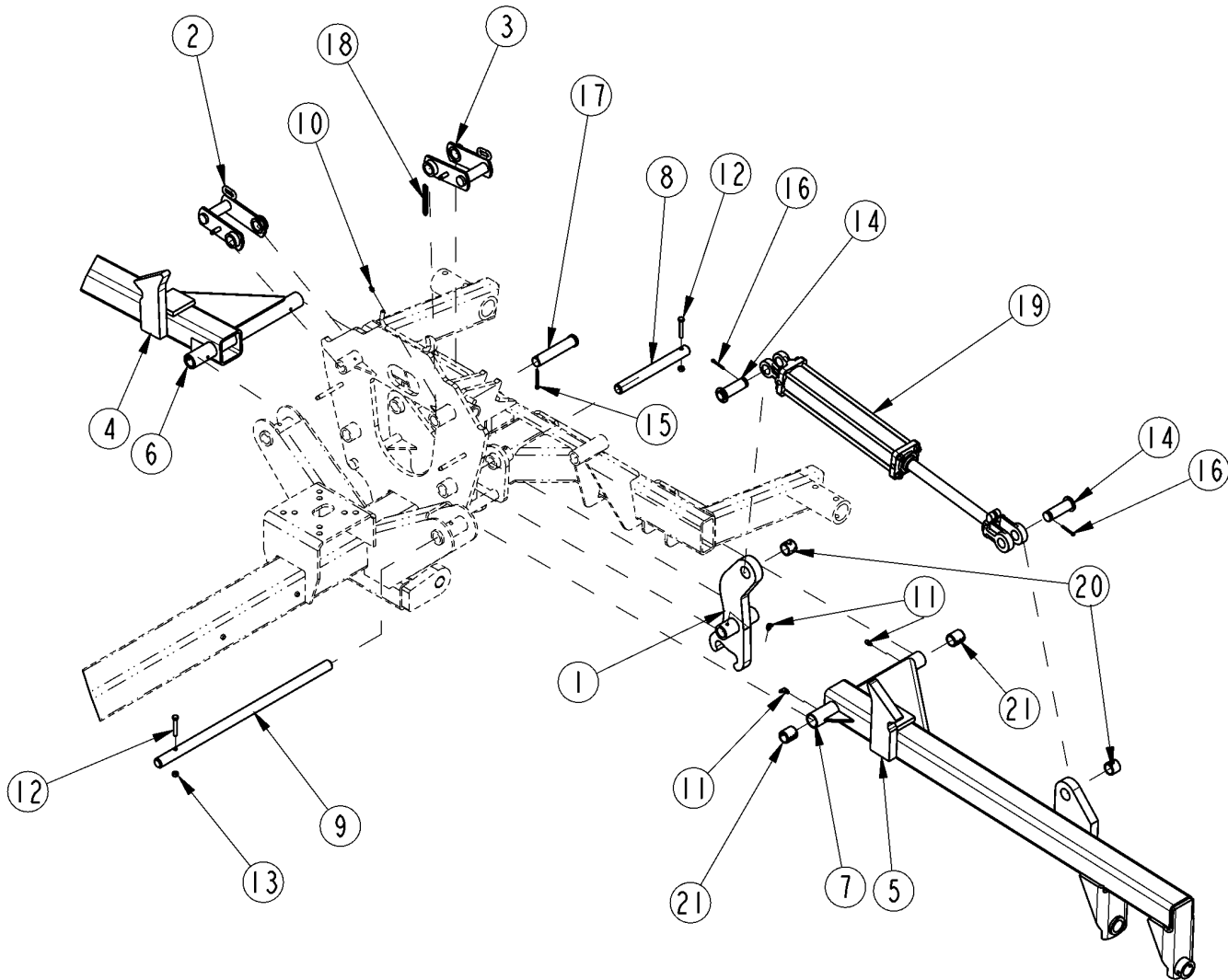
Pull Latch Cord Lock-Up

Applies to AFM4214

Ref	Part No.	Part Description	Comments	Revision
	dwg13552	Drawing Image Number		
1.	890-337C	CORD-PARACHUTE 3/16	Right & Left Hand Deck 34" Long and Center 44" Long. Frame to Tractor 156" Long. Total Length 23 Ft. Sold only in 12" increments	
2.	890-589C	5/32 I.D. OVAL SLEEVE		
3.	890-332C	WELDED RING 1/4 X 2		
4.	315-247S	40168/200 DECK PULL ROPE		
		NOTES:		
		When Installing Cord to Deck Latches Be Sure to Apply Tension to Cord For Proper Operation.		

Right Hand and Left Deck Pivot

Applies to AFM4214



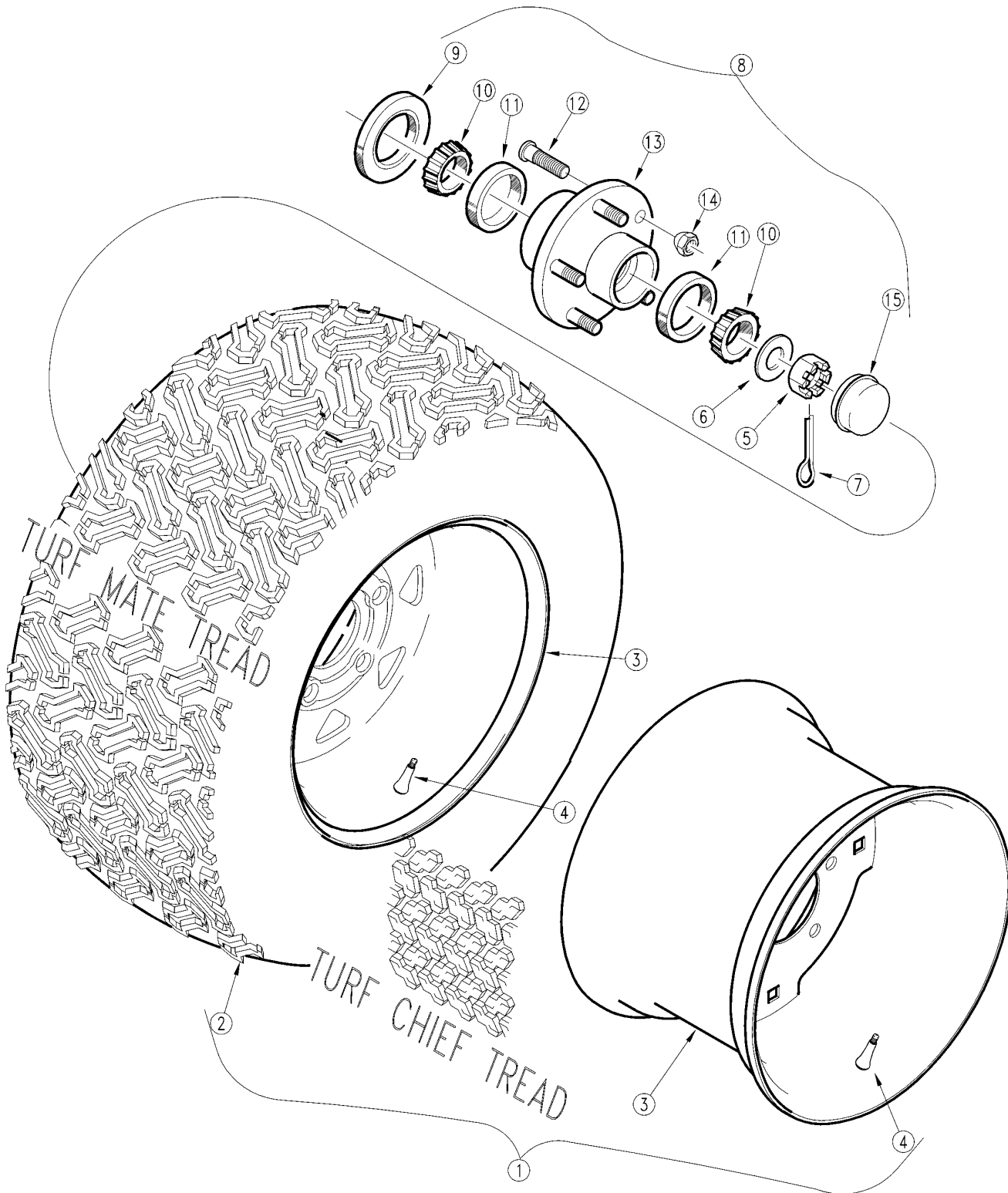
25911

Right Hand and Left Deck Pivot**Applies to AFM4214**

Ref	Part No.	Part Description	Comments	Revision
	dwg25911	Drawing Image Number		
1.	315-182H	WING FLEX LUG AFM40168/200		
2.	315-186H	FLIP LATCH WLDMNT RH		
3.	315-198H	FLIP LATCH WELDMENT LH		
4.	315-230H	14 R.H. TOOLBAR WELD	AFM4214	
5.	315-231H	14 L.H. TOOLBAR WELD	AFM4214	
6.	315-178H	RH WING TOOL BAR AFM16	AFM4216	
7.	315-177H	LH WING TOOL BAR AFM16	AFM4216	
8.	315-564D	DECK FLEX PIVOT PIN		
9.	315-565D	40200 TOOLBAR PIVOT PIN		
10.	800-080C	GREASE ZERK 1/4-28 THD FORMING		
11.	800-136C	ZERK 1/4-28 X 45 DEG SELF-TAP		
12.	802-115C	HHCS 5/16-18X2 GR5		
13.	803-011C	NUT LOCK 5/16-18 PLT		
14.	805-004C	PIN CLEVIS 1 X 2 3/4 USABLE LG		
15.	805-017C	PIN COTTER 3/16 X 1 3/4 PLT		
16.	805-045C	PIN COTTER 5/32 X 1 1/4 LG		
17.	805-131C	PIN CLEVIS 1 X 4 11/16 USABLE		
18.	807-026C	PIVOT STOP SPRING		
19.	810-150C	CYL 2.5X12X1.25 ROD (TIE ROD)		
20.	890-005C	BUSHING CYL 1 1/4 X 1 X 1		
21.	890-278C	BUSHING CYL 1 1/4 X 1 X 1 3/8		

Transport Frame Tire and Hub (814-100C; 815-052C)

Applies to AFM4214



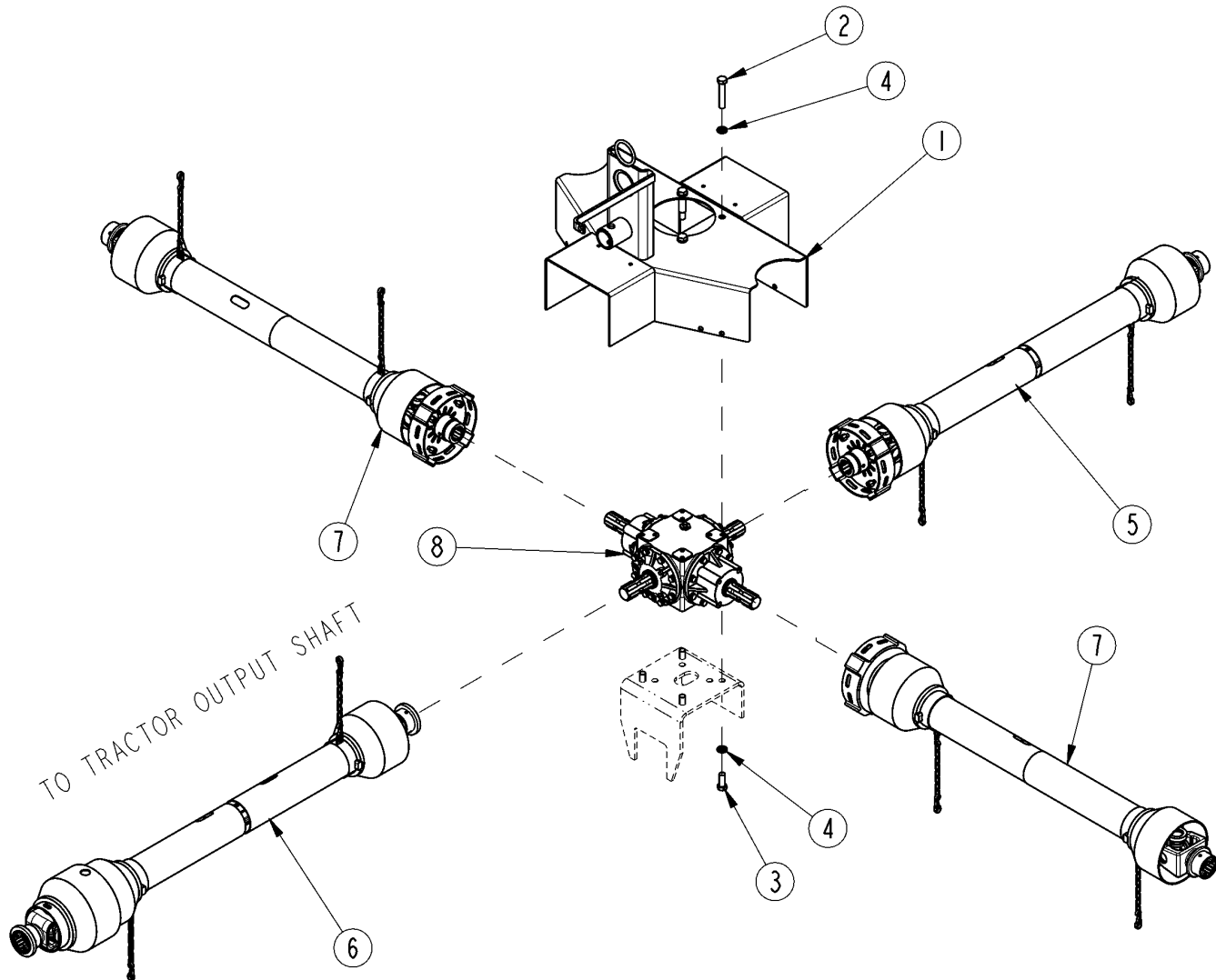
13589

Transport Frame Tire and Hub (814-100C; 815-052C)**Applies to AFM4214**

Ref	Part No.	Part Description	Comments	Revision
	dwg13589	Drawing Image Number		
	814-100C	Transport Frame Tire & Hub		
	814-052C	Transport Frame Tire & Hub		
1.	814-100C	TIRE & WHL ASSY 23 X 10.5-12		
2.	0511421-710	CL TIRE 23X10.5-12 4P TM TL	Turf Mate	
2.	051172600710	CL TIRE 23X10.5-12 4P TRFCHIEF	Turf Chief	
3.	30-449S6B	TILDEN RIM 12X8.50,8SPOKED BLK		
4.	816-088C	VALVE STEM TR412		
5.	803-053C	NUT HEX SLOTTED 3/4-16		
6.	804-025C	WASHER FLAT 3/4 SAE PLT		
7.	805-045C	PIN COTTER 5/32 X 1 1/4 LG		
8.	815-052C	HUB ASSY 5 BOLT 4 1/2" B.C.		
9.	816-014C	TINE GAUGE WHEEL HUB SEAL		
10.	822-030C	BEARING CONE 1		
11.	822-080C	BEARING CUP L44610		
12.	B0-47	NEILSON STUD 1/2-20UNFX1 13/16		
13.	N/A	NEILSON 5 BOLT HUB		
14.	803-159C	NUT LUG 1/2-20 X 60 DEG PLT		
15.	890-614C	GREASE CAP #1505		

Driveline Arrangement

Applies to AFM4214



25912

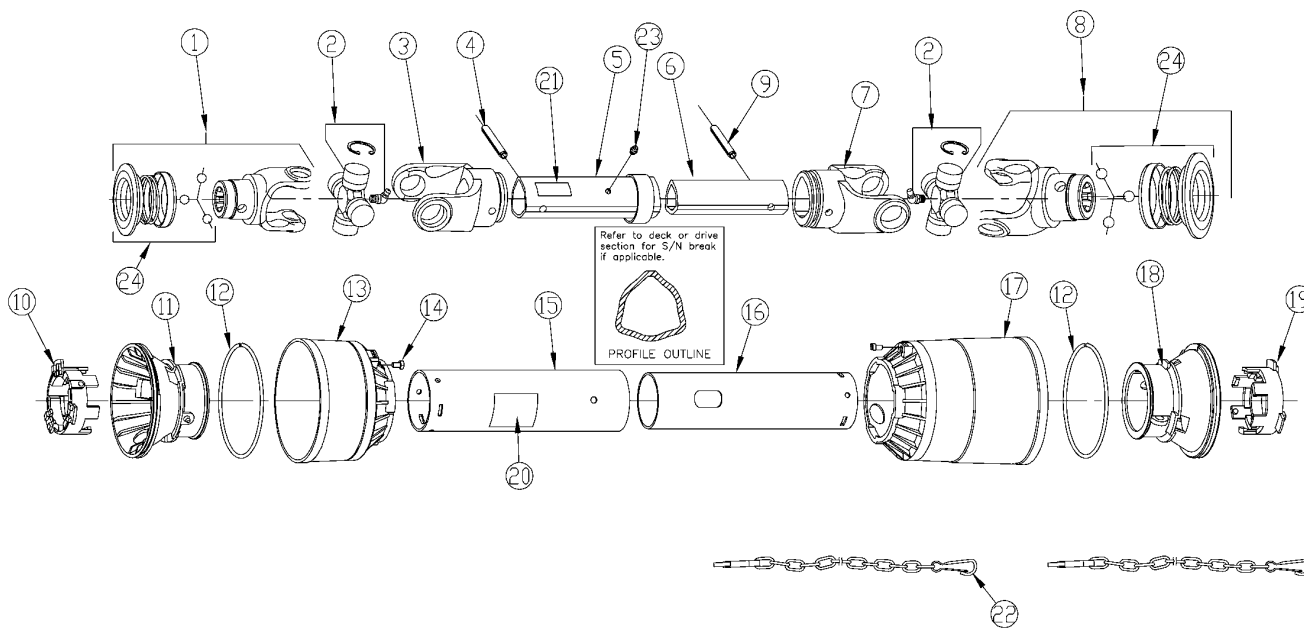
Driveline Arrangement

Applies to AFM4214

Ref	Part No.	Part Description	Comments	Revision
	dwg25912	Drawing Image Number		
1.	315-448H	AFM14,16,22 SPLITTER BOX COVER		
2.	802-226C	HHCS 1/2-13X2 3/4 GR5		
3.	802-689C	HHCS 1/2-13X1 1/4 GR5 NYL		
4.	804-015C	WASHER LOCK SPRING 1/2 PLT		
5.	826-111C	PTO 2200 X 33.86 W/CLUTCH		
5.	826-371C	PTO CAT.2 X 41		
6.	826-143C	PTO CV 2480 X 51.5 NO CLUTCH		
6.	826-370C	PTO CV CAT.4 W/CLUTCH		
7.	826-144C	PTO 2200 X 27.95 W/CLUTCH		
7.	826-374C	PTO CAT.2 X 35		
8.	826-274C	GBOX DIVIDER OMNI 250559 1:1		

Driveline Center Deck (826-371C) Eurocardan

Applies to AFM4214

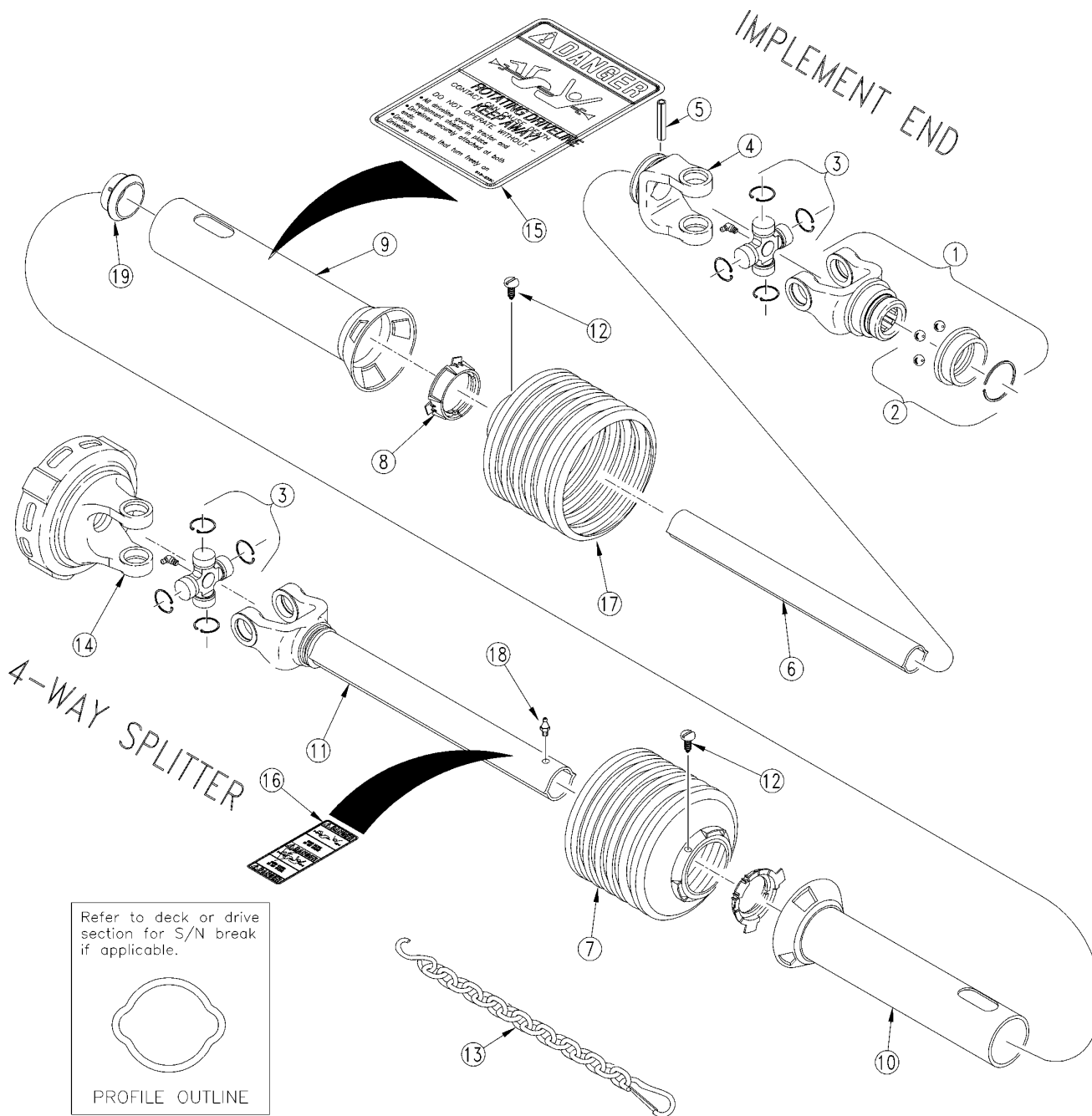


Driveline Center Deck (826-371C) Eurocardan**Applies to AFM4214**

Ref	Part No.	Part Description	Comments	Revision
	dwg22022	Drawing Image Number		
	826-371C	PTO CAT.2 X 41		
1.	1014012	EC YOKE ASSEMBLY		
2.	1004020	EC CROSS ASSEMBLY (U JOINT)		
3.	1704027	EC OUTER TUBE YOKE		
4.	6330860	EC 08X60 1485DIN ROLL PIN		
5.	1524902	EC INNER TUBE		
6.	1525072	EC INNER TUBE (1525095) 720MM		
7.	1704029	EC INNER TUBE YOKE		
8.	1014012	EC YOKE ASSEMBLY		
9.	6330855	EC 8X55-DIN-1481 O/TUBE R/PIN		
10.	1784210	EC TUBE BEARING		
11.	1884201	EC OUTER TUBE RIGID CONE		
12.	1213233	EC STIFFENING RING		
13.	1884203	EC SOFT CONE		
14.	1784212	EC PIN STOP ROTATION		
15.	1873901	EC OUTER TUBE SHIELD		
16.	1872901	EC INNER SHIELD TUBE		
17.	1884205	EC SOFT LONG CONE		
18.	1884202	EC INNER TUBE RIGID CONE		
19.	1784211	EC TUBE BEARING		
20.	818-552C	DECAL DANGER PTO DRIVELINE		
21.	818-540C	DECAL DANGER GUARD MISS PTO		
22.	044321	DRIVELINE SHIELD SAFETY CHAIN		
23.	6560006	EC GREASE ZERK M6X1 STRAIGHT		
24.	1004225	EC PULL COLLAR KIT		

Driveline Center Deck W/Clutch (826-111C) Walterscheid

Applies to AFM4214



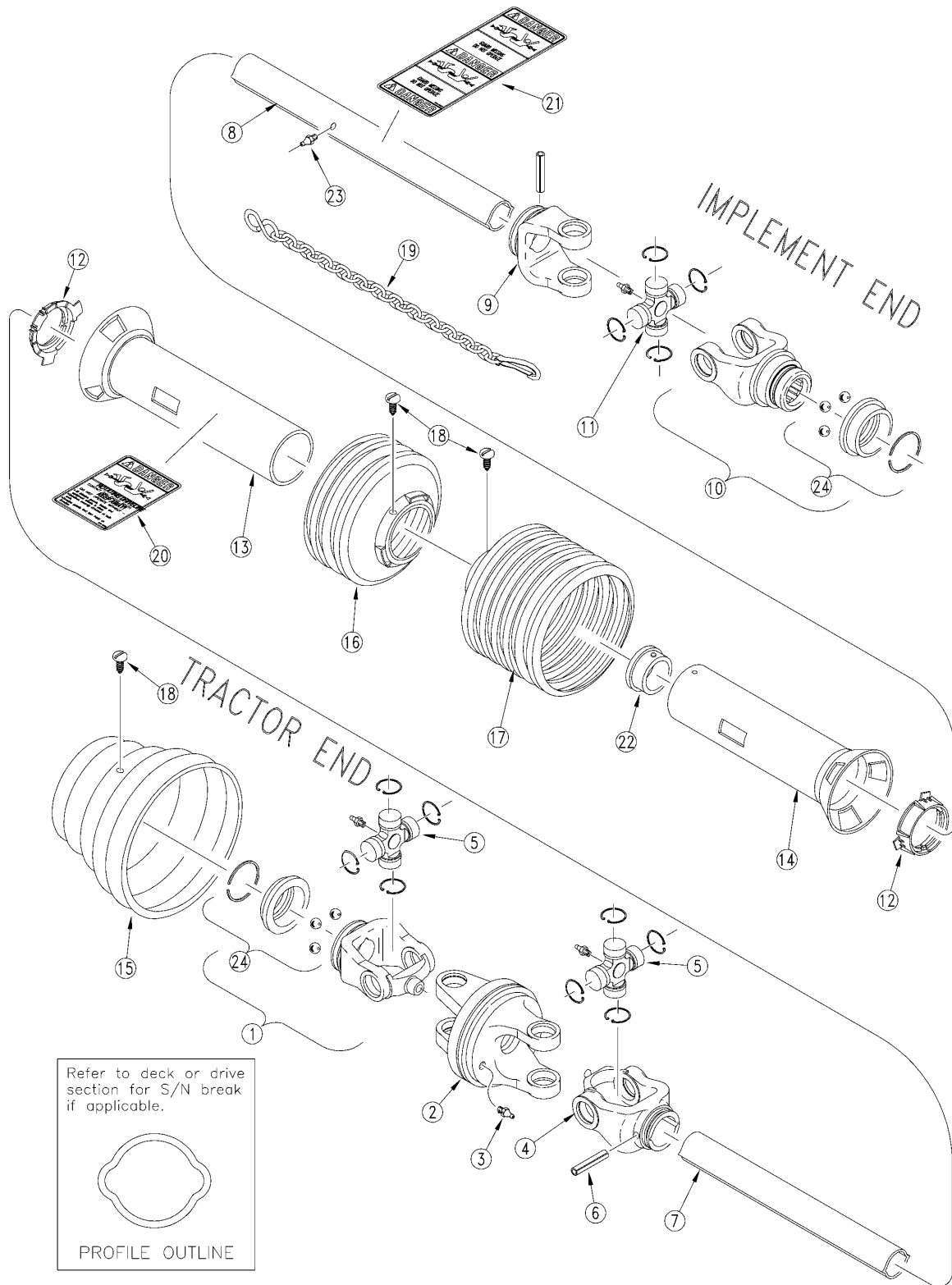
13449

Driveline Center Deck W/Clutch (826-111C) Walterscheid**Applies to AFM4214**

Ref	Part No.	Part Description	Comments	Revision
	dwg13449	Drawing Image Number		
	826-111C	PTO 2200 X 33.86 W/CLUTCH		
1.	196837	WS ASGE YOKE 1 3/8-6 SPL.		Rev. 2
1.	380905	RPBY 196837		Rev 1; Use up stock
2.	390404	WS ASGE COLLAR KIT		Rev. 2
2.	381908	RPBY 390404		Rev 1; Use up stock
3.	044439	WALTSCHIED CROSS & BRG KIT		
4.	041065	WS INBOARD YOKE		
5.	020614	WS SPRING PIN		
6.	047680	WS INNER PROFILE 826-111C		
7.	377234	WS SHIELD CONE-4 RIB		
8.	087279	WS BEARING RING		
9.	392052	WS OUTER SHIELD OVL.	(S/N 259230+)	Rev. 2 not compat. w/Rev. 1
9.	387332	RPBY 392052	(S/N 259229+)	Rev. 1
10.	392050	WS INNER SHIELD RND.	(S/N 259230+)	Rev. 2 not compat. w/Rev. 1
10.	387266	RPBY 392050	(S/N 259229+)	Rev. 1
11.	390289	WS YOKE W/OTR PROFILE 826-111C		
12.	365305	WS SCREW		
13.	044321	DRIVELINE SHIELD SAFETY CHAIN		
14.	053314	WS FRICTION CLUTCH		
15.	818-552C	DECAL DANGER PTO DRIVELINE		
16.	818-540C	DECAL DANGER GUARD MISS PTO		
17.	377240	WS SHIELD CONE-10RIB		
18.	380371	WS ZERK	(S/N 259230+)	
19.	355154	WS SUPPORT BEARING	(S/N 259230+)	

Driveline CV (826-143C) Walterscheid

Applies to AFM4214



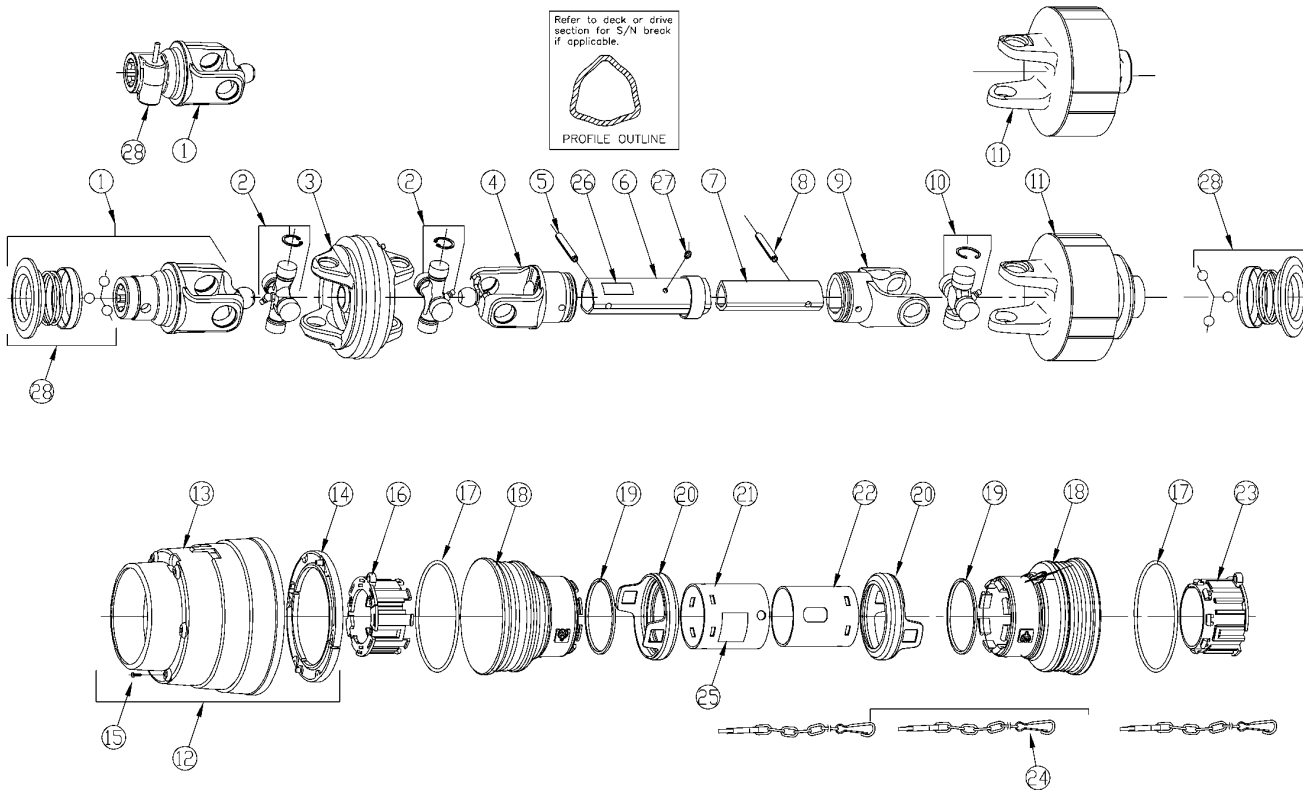
13812

Driveline CV (826-143C) Walterscheid**Applies to AFM4214**

Ref	Part No.	Part Description	Comments	Revision
	dwg13812	Drawing Image Number		
	826-143C	PTO CV 2480 X 51.5 NO CLUTCH		
1.	380882	WS YOKE 1 3/8-6 SPL		
2.	365722	WS DOUBLE YOKE		
3.	020672	WS GREASE ZERK		
4.	341586	WS INBOARD YOKE		
5.	342221	WS CROSS & BEARING KIT		
6.	020617	WS SPRING PIN 10 X 20		
7.	316201	WS INNER PROFILE 1BGA		
8.	383231	WS PROFILE & SLEEVE		
9.	019519	WS INBOARD YOKE		
10.	380907	WS YOKE 1 3/8-6 SPL AS		
11.	312410	WS CROSS BEARING KIT		
12.	087276	WS BEARING RING - SC25		
13.	390186	WS OUTER SHIELD TUBE OVL		
14.	385954	WS INNER SHIELD TUBE RND		
15.	386083	WS CV CONE & BEARING ASSY		
16.	172758	WS SHIELD CONE 3 RIB		
17.	377336	WS SHIELD CONE 6 RIB		
18.	365305	WS SCREW		
19.	044321	DRIVELINE SHIELD SAFETY CHAIN		
20.	818-552C	DECAL DANGER PTO DRIVELINE		
21.	818-540C	DECAL DANGER GUARD MISS PTO		
22.	355155	WS SUPPORT BEARING		
23.	380371	WS ZERK		
24.	390404	WS ASGE COLLAR KIT		Rev. 2
24.	381908	RPBY 390404		Rev 1; Use up stock

Driveline CV W/ Clutch (826-370C) Eurocardan

Applies to AFM4214



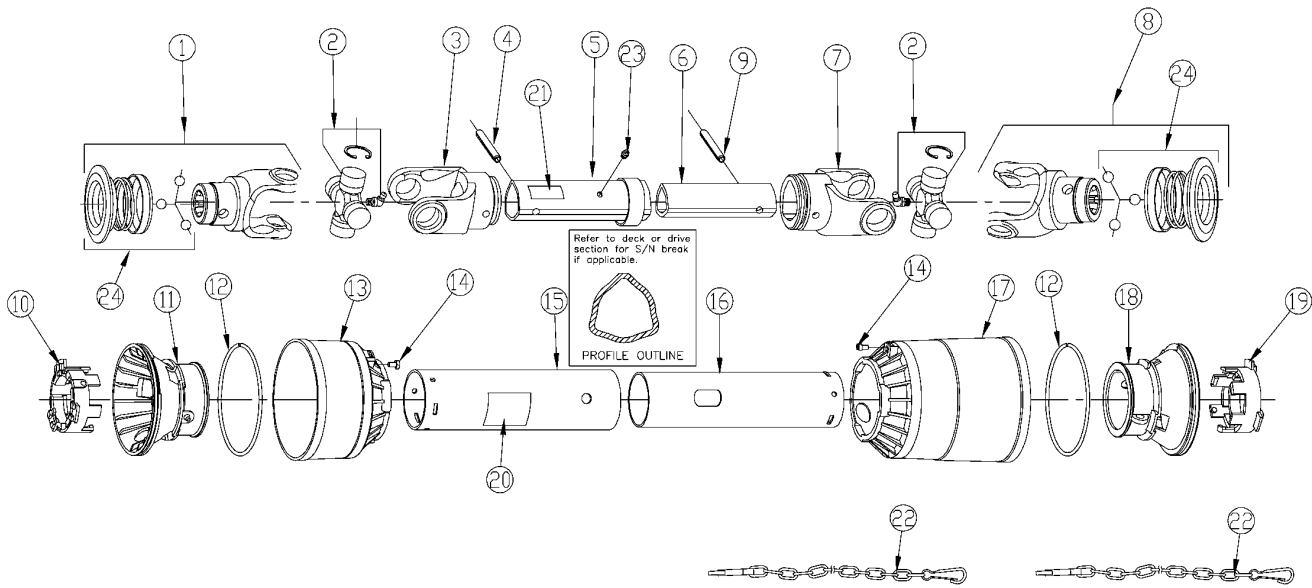
22023

Driveline CV W/ Clutch (826-370C) Eurocardan**Applies to AFM4214**

Ref	Part No.	Part Description	Comments	Revision
	dwg22023	Drawing Image Number		
	826-370C	PTO CV CAT.4 W/CLUTCH		
1.	1006865	EC PULL COLLAR YOKE 1.38-6	Pull collar yoke	
1.	1006803	RPBY 1006865	Push-pin yoke	
2.	1006830	EC GO6 CROSS ASSEMBLY		
3.	1006831	EC HOMOKINETIC JOINT		
4.	1006827	EC OUTER TUBE HOMOKINETIC YOKE		
5.	6331080	EC 10X80-DIN-1481 O/TUBE R/PIN		
6.	1548900	EC OUTER TUBE		
7.	1546096	EC INNER TUBE 960MM		
8.	6331070	EC 10X70 ROLL PIN		
9.	1706029	EC INNER TUBE YOKE		
10.	1006020	EC CROSS ASSEMBLY		
11.	1466607	EC CLUTCH BD4/6 1600Nm	EC Clutch w/pull collar	
11.	1466305	RPBY 1466607	EC Clutch w/clamp yoke (BC4 1600Nm)	
12.	9190601	EC WIDE ANGLE PROTECTION		
13.	1886802	EC SOFT CONE		
14.	1786801	EC BEARING SOFT CONE		
15.	6280313	EC SELF THREADING SCREW		
16.	1786710	EC TUBE BEARING (OUTER TUBE)		
17.	1215733	EC STIFFENING RING		
18.	1885702	EC SHORT CONE		
19.	1215735	EC STOP RING		
20.	1885709	EC SAFETY SLEEVE		
21.	1876902	EC OUTER TUBE SHIELD		
22.	1877902	EC INNER TUBE SHIELD		
23.	1786711	EC TUBE BEARING (INNER TUBE)		
24.	044321	DRIVELINE SHIELD SAFETY CHAIN		
25.	818-552C	DECAL DANGER PTO DRIVELINE		
26.	818-540C	DECAL DANGER GUARD MISS PTO		
27.	6560006	EC GREASE ZERK M6X1 STRAIGHT		
28.	1004225	EC PULL COLLAR KIT		
28.	1581036	EC PUSH-PIN KIT CV YOKES 1 3/8		

Driveline Left & Right Hand Deck (826-374C) Eurocardan

Applies to AFM4214

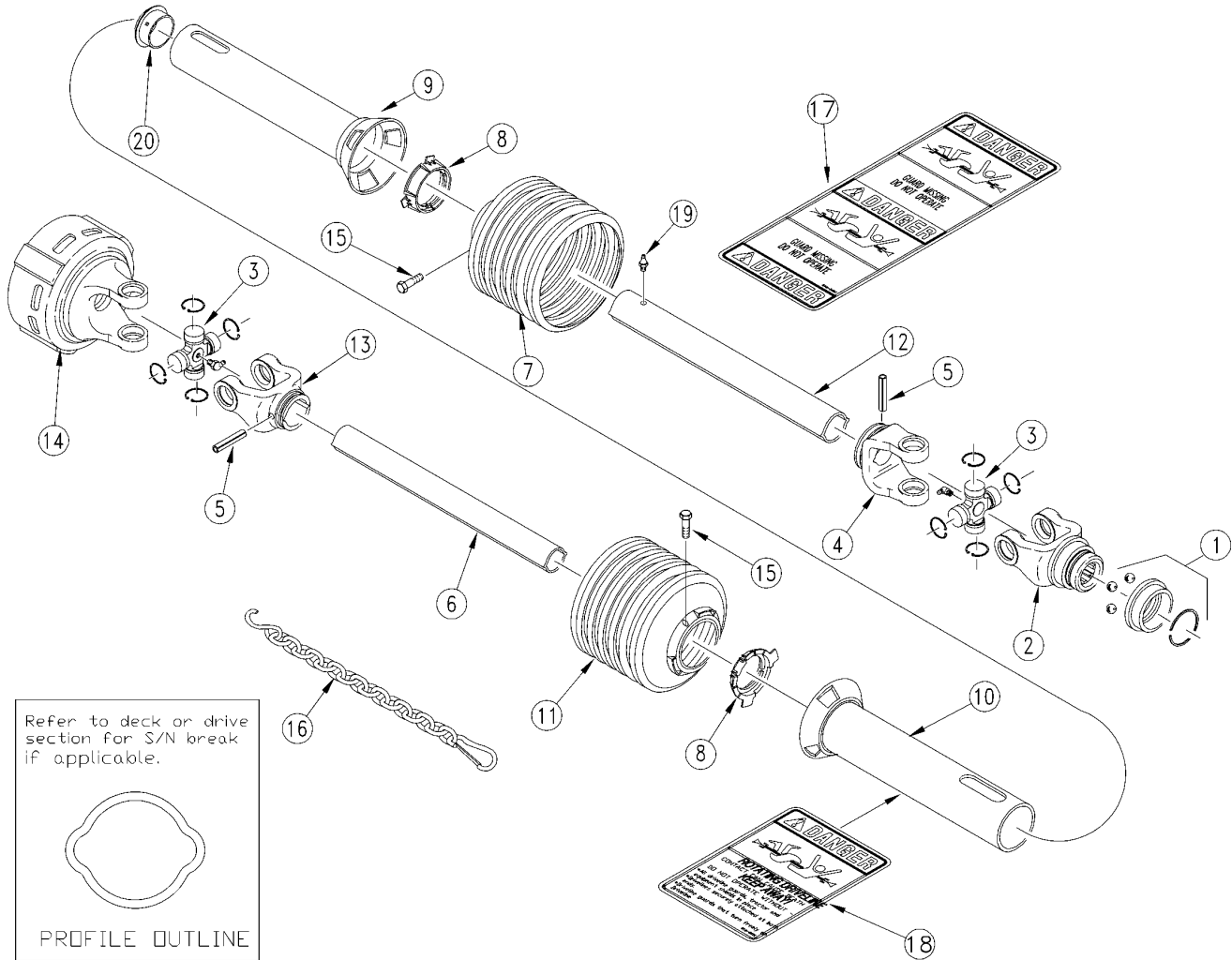


Driveline Left & Right Hand Deck (826-374C) Eurocardan**Applies to AFM4214**

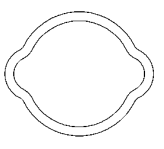
Ref	Part No.	Part Description	Comments	Revision
	dwg22024	Drawing Image Number		
	826-374C	PTO CAT.2 X 35		
1.	1014012	EC YOKE ASSEMBLY		
2.	1004020	EC CROSS ASSEMBLY (U JOINT)		
3.	1704027	EC OUTER TUBE YOKE		
4.	6330860	EC 08X60 1485DIN ROLL PIN		
5.	1524905	EC OUTER TUBE		
6.	1525057	EC INNER TUBE (1525095) 570MM		
7.	1704029	EC INNER TUBE YOKE		
8.	1014012	EC YOKE ASSEMBLY		
9.	6330855	EC 8X55-DIN-1481 O/TUBE R/PIN		
10.	1784210	EC TUBE BEARING		
11.	1884201	EC OUTER TUBE RIGID CONE		
12.	1213233	EC STIFFENING RING		
13.	1884203	EC SOFT CONE		
14.	1784212	EC PIN STOP ROTATION		
15.	1873905	EC OUTER TUBE SHIELD		
16.	1872905	EC INNER TUBE SHIELD		
17.	1884205	EC SOFT LONG CONE		
18.	1884202	EC INNER TUBE RIGID CONE		
19.	1784211	EC TUBE BEARING		
20.	818-552C	DECAL DANGER PTO DRIVELINE		
21.	818-540C	DECAL DANGER GUARD MISS PTO		
22.	044321	DRIVELINE SHIELD SAFETY CHAIN		
23.	6560006	EC GREASE ZERK M6X1 STRAIGHT		
24.	1004225	EC PULL COLLAR KIT		

Driveline Left & Right Hand Deck W/Clutch (826-144C) Walterscheid

Applies to AFM4214



Refer to deck or drive section for S/N break if applicable.



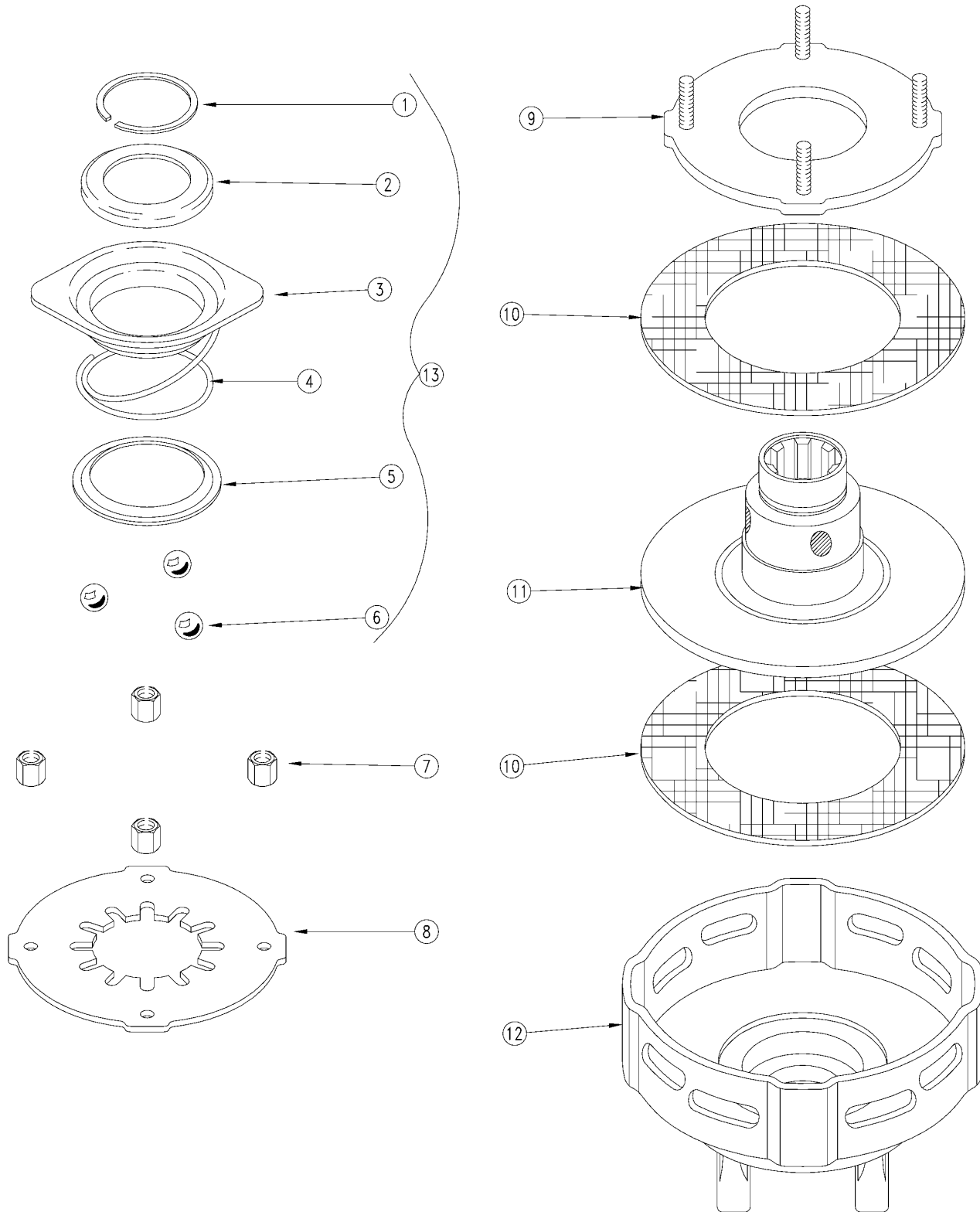
PROFILE OUTLINE

Driveline Left & Right Hand Deck W/Clutch (826-144C) Walterscheid**Applies to AFM4214**

Ref	Part No.	Part Description	Comments	Revision
	dwg14028	Drawing Image Number		
	826-144C	PTO 2200 X 27.95 W/CLUTCH		
1.	390404	WS ASGE COLLAR KIT		
2.	196837	WS ASGE YOKE 1 3/8-6 SPL.		
3.	044439	WALTSCHIED CROSS & BRG KIT		
4.	041068	WS INBOARD YOKE		
5.	020614	WS SPRING PIN		
6.	052511	WS INNER PROFILE		
7.	377240	WS SHIELD CONE-10RIB		
8.	087279	WS BEARING RING		
9.	392044	WS INNER SHIELD RND.	(S/N 259230+)	Rev. 2 not compat. w/Rev. 1
9.	384954	RPBY 392044	(S/N 259229+)	Rev. 1
10.	392043	WS OUTER SHIELD OVL.	(S/N 259230+)	Rev. 2 not compat. w/Rev. 1
10.	386488	RPBY 392043	(S/N 259229+)	Rev. 1
11.	377234	WS SHIELD CONE-4 RIB		
12.	392042	WS OUTER PROFILE 1L	(S/N 259230+)	Rev. 2 not compat. w/Rev. 1
12.	086584	RPBY 392042	(S/N 259229+)	Rev. 1
13.	041065	WS INBOARD YOKE		
14.	053314	WS FRICTION CLUTCH		
15.	365305	WS SCREW		
16.	044321	DRIVELINE SHIELD SAFETY CHAIN		
17.	818-540C	DECAL DANGER GUARD MISS PTO		
18.	818-552C	DECAL DANGER PTO DRIVELINE		
19.	380371	WS ZERK	(S/N 259230+)	
20.	355154	WS SUPPORT BEARING	(S/N 259230+)	

Driveline Slip Clutch (053314) Walterscheid

Applies to AFM4214



10600

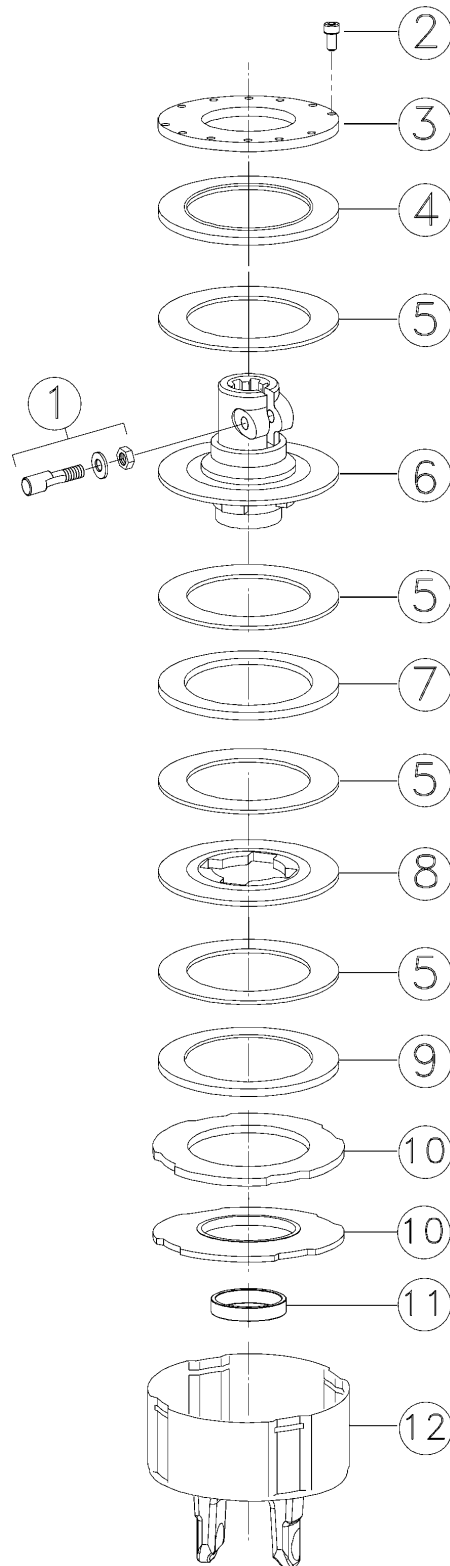
Driveline Slip Clutch (053314) Walterscheid

Applies to AFM4214

Ref	Part No.	Part Description	Comments	Revision
	dwg10600	Drawing Image Number		
	053314	WS FRICTION CLUTCH		
1.	304149	WS SNAP RING		
2.	338531	WS FLANGED RING		
3.	045790	WS LOCK COLLAR		
4.	045793	WS COMPRESSION SPRNG		
5.	047825	WS BACK UP RING		
6.	020692	WS BALL		
7.	381957	WS HEX NUT M8		
8.	043489	WS BELLEVILLE SPRING	To increase NM to 650 use 2 ea 043487	
9.	381495	WS THRUST PLATE		
10.	168556	WS FRICTION DISK		
11.	051551	WS HUB 1 3/8-6 SPL		
12.	041180	WS CLUTCH HOUSING		
13.	341953	WS Q.D. FLG. KIT		

Driveline Slip Clutch (1466305) Eurocardan

Applies to AFM4214



23887

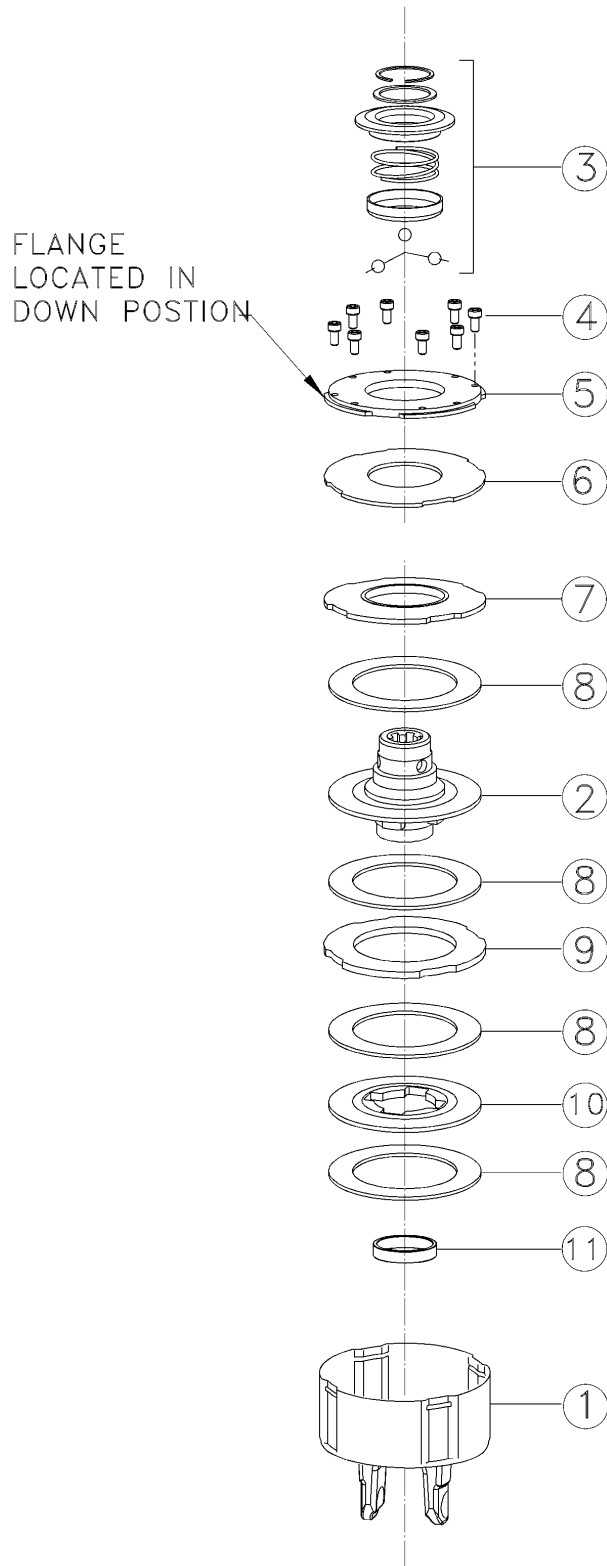
Driveline Slip Clutch (1466305) Eurocardan

Applies to AFM4214

Ref	Part No.	Part Description	Comments	Revision
	dwg23887 1466305	Drawing Image Number RPBY 1466607		
			EC CLUTCH (CLAMP TYPE SPLINE END)	
1.	6821279	EC CONICAL CLAMP KIT (1 3/8)		
2.	6041016	EC SCREW		
3.	1136007	EC CLOSURE FLANGE		
4.	1136008	EC INT. FLANGE		
5.	1806010	EC FRICTION DISC		
6.	1706065	EC HUB WITH FLANGE (1 3/8-6)		
7.	1136006	EC INTERMEDIARY FLANGE		
8.	1136010	EC HUB DISC		
9.	1136009	EC SPRING FLANGE		
10.	1216914	EC SPRING KIT (R1300Nm)		
10.	1216907	RPBY 1216914		
11.	1705009	EC CLUTCH BUSHING		
12.	1466000	EC OUTER BODY FOR BC		

Driveline Slip Clutch (1466607) Eurocardan

Applies to AFM4214



23890

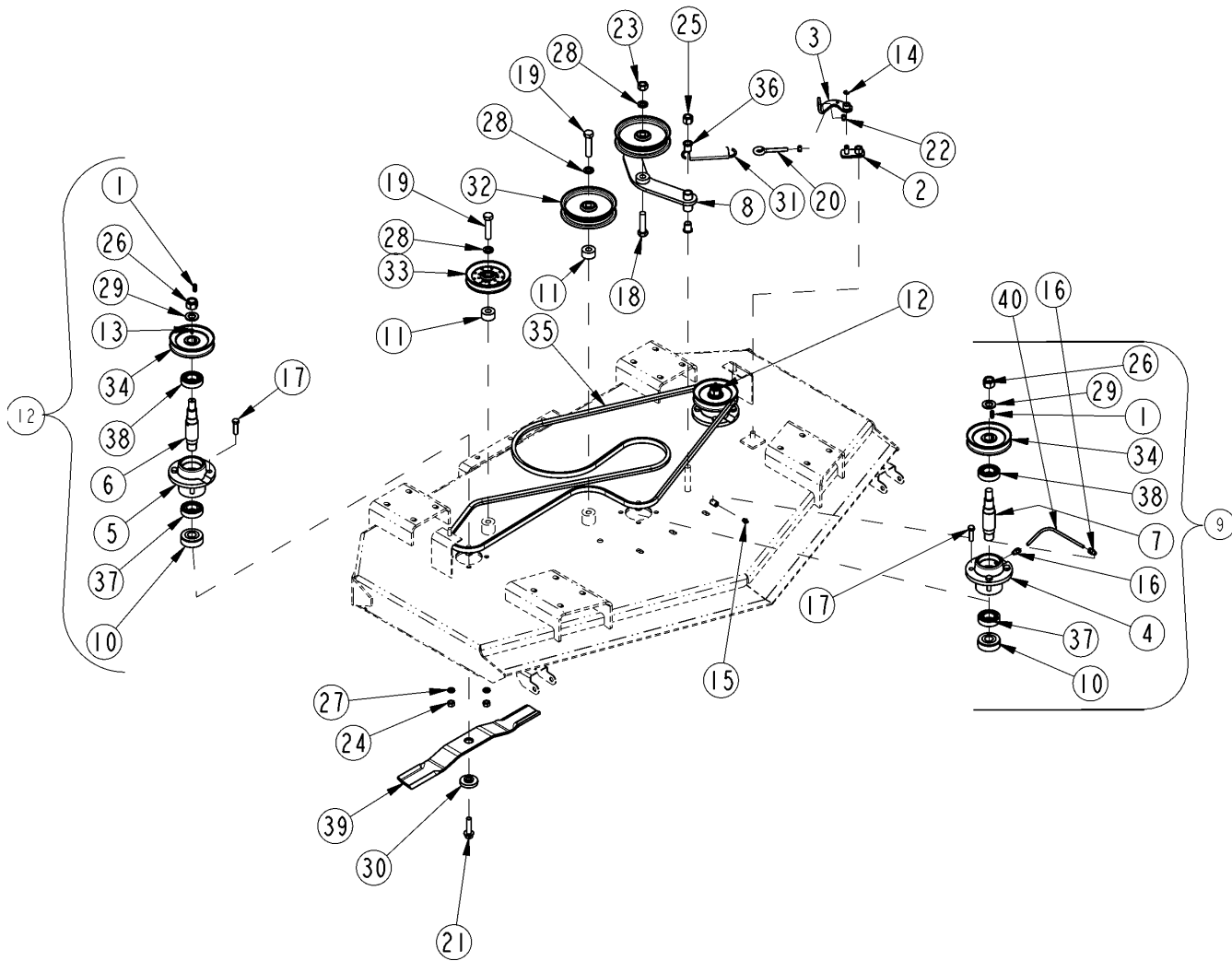
Driveline Slip Clutch (1466607) Eurocardan

Applies to AFM4214

Ref	Part No.	Part Description	Comments	Revision
	dwg23890	Drawing Image Number		
	1466607	EC CLUTCH BD4/6 1600Nm		
1.	1466001	EC OUTER BODY FOR BD4/6		
2.	1706085	EC HUB WITH FLANGE 1.38-6		
3.	1004225	EC PULL COLLAR KIT		
4.	6040816	EC SCREW M8 X 16		
5.	1134012	EC CLOSURE FLANGE		
6.	1216907	EC SPRING KIT (V1600Nm)		
7.	1134011	EC PRESSURE FLANGE		
8.	1806010	EC FRICTION DISC		
9.	1136008	EC INT. FLANGE		
10.	1136010	EC HUB DISC		
11.	1705009	EC CLUTCH BUSHING		

Belt Drive Center and Right Hand Deck

Applies to AFM4214



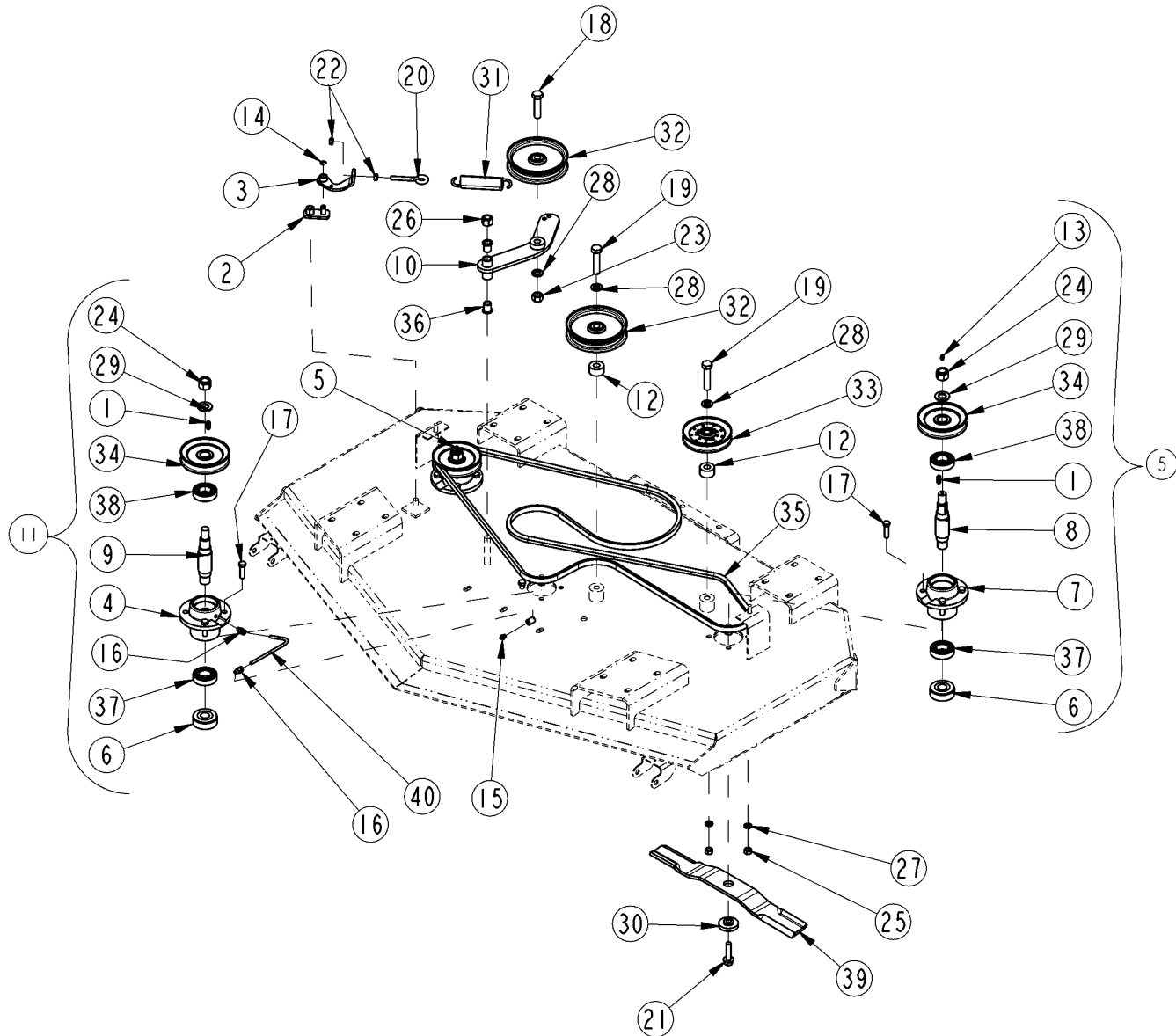
25913

Belt Drive Center and Right Hand Deck**Applies to AFM4214**

Ref	Part No.	Part Description	Comments	Revision
	dwg25913	Drawing Image Number		
1.	172-242D	1/4 SQ. KEY X 7/8 LG		
2.	310-094H	OVER-CENTER LATCH-90		
3.	310-095H	CW SPRING EYE-BOLT BRACKET		
4.	310-224D	BLADE HUB - MACH		
5.	310-457D	BLADE HUB MACHINED TOP GREASE		
6.	310-631D	BLADE SPINDLE SHAFT CCW TG		
7.	310-636D	BLADE SPINDLE SHAFT CCW		
8.	315-199H	CCW BELT TAKE-UP HANDLE		
9.	315-377S	CCW SPINDLE HUB ASSEMBLY 5IN.		
10.	315-494D	BLADE HUB C.C.W.		
11.	315-563D	IDLER PULLEY SPACER-SHORT		
12.	315-655S	CCW TG SPNDL HUB ASSY 5 PULLEY		
13.	800-001C	GREASE ZERK STRAIGHT 1/4-28		
14.	800-099C	SNAP RING EXT 7/16		
15.	800-130C	GREASE ZERK STRAIGHT 1/8-27NPT		
16.	800-372C	FTG TUBE, PUSH CONNECT 1/8NPT		
17.	802-229C	HHCS 7/16-20X1 1/2 GR8		
18.	802-239C	HHCS 5/8-18X2 1/2 GR5		
19.	802-281C	HHCS 5/8-11X2 3/4 GR5		
20.	802-567C	SP EYE 3/8-16X 3 7/8		
21.	802-696C	HFS 1/2-20X2 LH GR8		
22.	803-014C	NUT HEX 3/8-16 PLT		
23.	803-022C	NUT HEX 5/8-18 PLT		
24.	803-115C	NUT HEX 7/16-20 PLT		
25.	803-119C	NUT LOCK 5/8-18 NYLOK COLLAR P		
26.	803-228C	NUT HEX 3/4-16LH NYLOC COLLAR		
27.	804-014C	WASHER LOCK 7/16 PLT		
28.	804-022C	WASHER LOCK SPRING 5/8 PLT		
29.	804-093C	WASHER FLAT 3/4 HARD ASTM436		
30.	804-110C	WASHER BLADE 2ODX.56THKX.51ID		
31.	807-068C	SPRING EXT BELT HANDLE		
32.	808-073C	FLAT IDLE PULLEY 6 1/4 O.D.		
33.	808-074C	V-IDLER PULLEY 5 O.D.		
34.	808-075C	B-GROOVE PULLEY 5 O.D.		
35.	816-063C	V-BELT B144 146.9 E.L. KEVLAR		
36.	817-028C	DOUBLE DISK ARM PIVOT BUSHINGS		
37.	822-006C	BRG BALL 30IDX62OD 206		
38.	822-161C	BRG 1.18IDX2.44OD 6206 W/SHLD		
39.	890-377C	MWR BLD 5/16 X20 29/32SD LLCCW	Standard Low Lift Blades 3 per Deck	
39.	890-379C	MWR BLD 1/4 X20 29/32SD HL CCW	Optional High Lift Blades 3 per Deck	
39.	890-378C	MWR BLD 1/4 X20 29/32SD ML CCW	Optional Medium Lift Blades 3 per Deck	
39.	890-703C	MWR BLD MULCH 1/4X20.91SD CCW	Optional Mulch Blades 3 per Deck	
40.	990-109R	TUBE NYLON 1/4OD X 062WL	12" Long	

Belt Drive Left Hand Deck

Applies to AFM4214



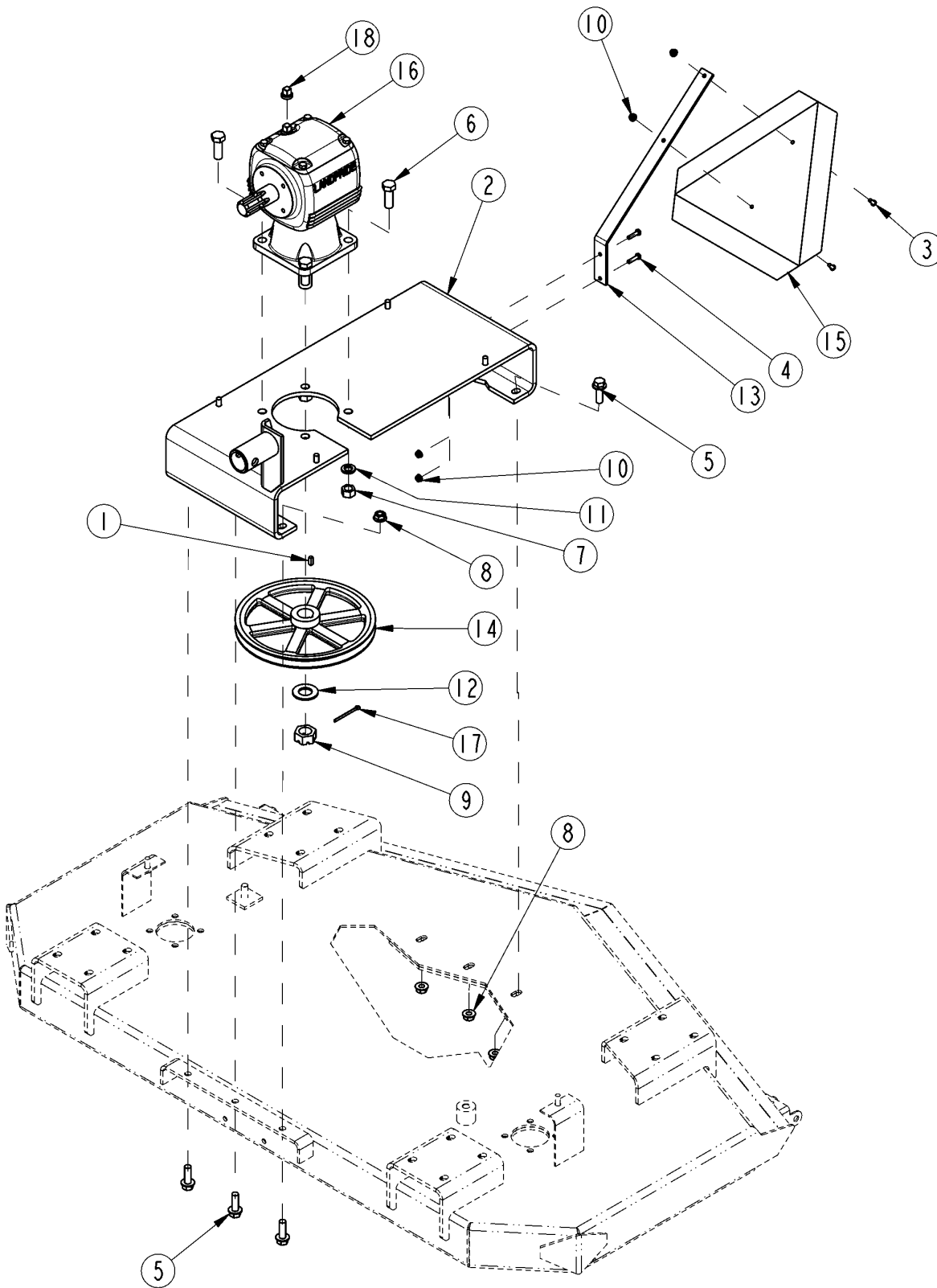
25914

Belt Drive Left Hand Deck**Applies to AFM4214**

Ref	Part No.	Part Description	Comments	Revision
	dwg25914	Drawing Image Number		
1.	172-242D	1/4 SQ. KEY X 7/8 LG		
2.	310-094H	OVER-CENTER LATCH-90		
3.	310-095H	CW SPRING EYE-BOLT BRACKET		
4.	310-224D	BLADE HUB - MACH		
5.	310-248S	CW TG SPINDLE HUB ASSY 5" PULL		
6.	310-300D	BLADE HUB - 7/8 (PLATED)		
7.	310-457D	BLADE HUB MACHINED TOP GREASE		
8.	310-630D	BLADE SPINDLE SHAFT CW TG		
9.	310-637D	BLADE SPINDLE SHAFT CW		
10.	315-103H	CW BELT TAKE-UP HANDLE		
11.	315-375S	CW SPINDLE HUB ASSEMBLY 5IN.		
12.	315-563D	IDLER PULLEY SPACER-SHORT		
13.	800-001C	GREASE ZERK STRAIGHT 1/4-28		
14.	800-099C	SNAP RING EXT 7/16		
15.	800-130C	GREASE ZERK STRAIGHT 1/8-27NPT		
16.	800-372C	FTG TUBE, PUSH CONNECT 1/8NPT		
17.	802-229C	HHCS 7/16-20X1 1/2 GR8		
18.	802-239C	HHCS 5/8-18X2 1/2 GR5		
19.	802-281C	HHCS 5/8-11X2 3/4 GR5		
20.	802-567C	SP EYE 3/8-16X 3 7/8		
21.	802-695C	HFS 1/2-20X2 GR8		
22.	803-014C	NUT HEX 3/8-16 PLT		
23.	803-022C	NUT HEX 5/8-18 PLT		
24.	803-114C	NUT LOCK 3/4-16 NYLOC COLLAR		
25.	803-115C	NUT HEX 7/16-20 PLT		
26.	803-119C	NUT LOCK 5/8-18 NYLOK COLLAR P		
27.	804-014C	WASHER LOCK 7/16 PLT		
28.	804-022C	WASHER LOCK SPRING 5/8 PLT		
29.	804-093C	WASHER FLAT 3/4 HARD ASTMF436		
30.	804-110C	WASHER BLADE 2ODX.56THKX.51ID		
31.	807-068C	SPRING EXT BELT HANDLE		
32.	808-073C	FLAT IDLE PULLEY 6 1/4 O.D.		
33.	808-074C	V-IDLER PULLEY 5 O.D.		
34.	808-075C	B-GROOVE PULLEY 5 O.D.		
35.	816-063C	V-BELT B144 146.9 E.L. KEVLAR		
36.	817-028C	DOUBLE DISK ARM PIVOT BUSHINGS		
37.	822-006C	BRG BALL 30IDX62OD 206		
38.	822-161C	BRG 1.18IDX2.44OD 6206 W/SHLD		
39.	890-204C	MWR BLD 5/16X20 29/32SD LL CW	Standard Low Lift Blades 3 per Deck	
39.	890-171C	MWR BLD 1/4 X 20 29/32SD HL CW	Optional High Lift Blades 3 per Deck	
39.	890-375C	MWR BLD 1/4 X 20 29/32SD ML CW	Optional Medium Lift Blades 3 per Deck	
39.	890-702C	MWR BLD MULCH 1/4X20.91SD CW	Optional Mulch Blades 3 per Deck	
40.	990-109R	TUBE NYLON 1/4OD X 062WL	12" Long	

Channel Center Deck

Applies to AFM4214



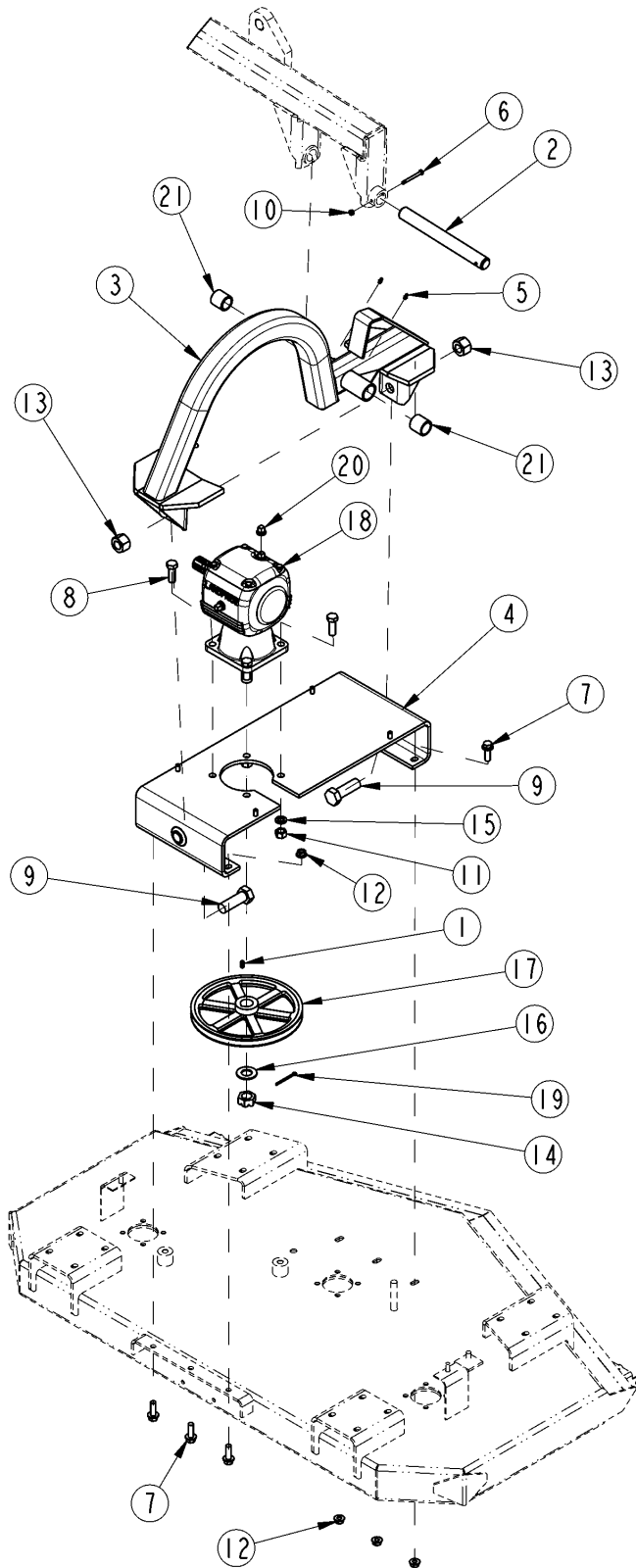
25915

Channel Center Deck**Applies to AFM4214**

Ref	Part No.	Part Description	Comments	Revision
	dwg25915	Drawing Image Number		
1.	310-331D	KEY 1/4 X 11/16 LONG		
2.	315-686H	14' CENTER GEAR BOX CHANNEL		
2.	315-686H81	14' CENTER GB CHANNEL GREEN		
2.	315-686H82	14' CENTER GB CHANNEL ORNG		
2.	315-686H83	14' CENTER GB CHANNEL RED		
2.	315-686H84	14' CENTER GB CHANNEL BLUE		
3.	801-018C	SCREW RD HD 1/4-20 X 5/8		
4.	802-005C	HHCS 1/4-20X1 GR5		
5.	802-203C	HFSS 1/2-13X1 1/2 GR5		
6.	802-246C	HHCS 5/8-18X1 3/4 GR5		
7.	803-022C	NUT HEX 5/8-18 PLT		
8.	803-037C	NUT HEX WHIZ 1/2-13 PLT		
9.	803-095C	NUT HEX SLOTTED 1-14		
10.	803-293C	NUT HEX FLG TL 1/4-20 ZNYCR		
11.	804-022C	WASHER LOCK SPRING 5/8 PLT		
12.	804-029C	WASHER FLAT 1 SAE		
13.	807-176C	SMV MOUNT BAR SPRING STEEL		
14.	808-335C	B-GROOVE PULLEY 11" CAST-IRON		
15.	818-055C	DECAL SLOW MOVING-GALV. BACKED		
16.	826-327C	GBOX MOWER 50 HP 1:2.8 CCW		
16.	826-327C81	GB MOWER 50 HP 1:2.8 CCW GREEN		
16.	826-327C82	GB MWR 50 HP 1:2.8 CCW ORANGE		
16.	826-327C83	GB MOWER 50 HP 1:2.8 CCW RED		
16.	826-327C84	GB MOWER 50 HP 1:2.8 CCW BLUE		
17.	826-487C	COMER 8.4.7.00516 COTTER		
18.	826-488C	COMER U0.195.7101.00 OIL PLUG		

Channel Left Hand Deck

Applies to AFM4214



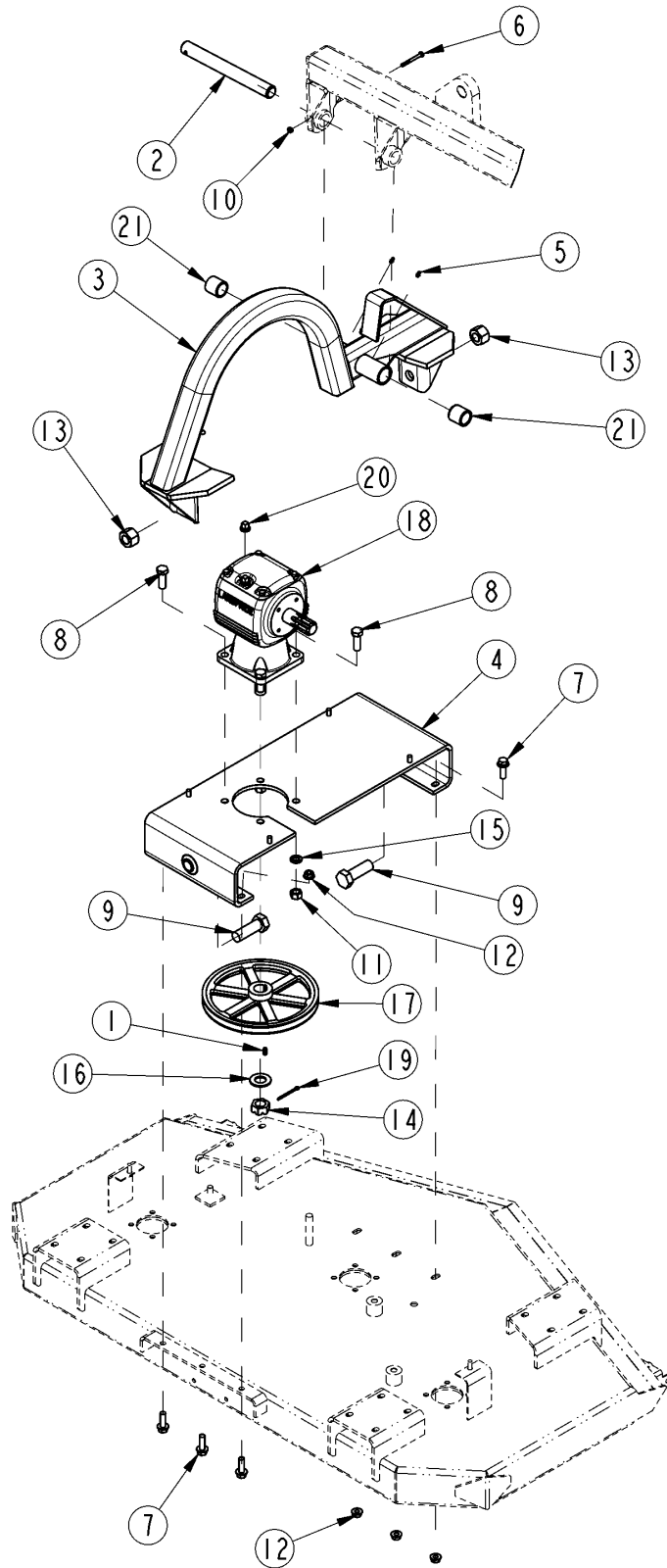
25916

Channel Left Hand Deck**Applies to AFM4214**

Ref	Part No.	Part Description	Comments	Revision
	dwg25916	Drawing Image Number		
1.	310-331D	KEY 1/4 X 11/16 LONG		
2.	315-566D	40200 FLEX ARM PIVOT PIN		
3.	315-672H	14' FLEX ARM		
3.	315-672H81	14' FLEX ARM GREEN		
3.	315-672H82	14' FLEX ARM ORNG		
3.	315-672H83	14' FLEX ARM RED		
3.	315-672H84	14' FLEX ARM BLUE		
4.	315-683H	14' WING GEAR BOX CHANNEL		
4.	315-683H81	14' WING GB CHANNEL GREEN		
4.	315-683H82	14' WING GB CHANNEL ORNG		
4.	315-683H83	14' WING GB CHANNEL RED		
4.	315-683H84	14' WING GB CHANNEL BLUE		
5.	800-080C	GREASE ZERK 1/4-28 THD FORMING		
6.	802-097C	HHCS 1/4-20X2 1/2 GR5		
7.	802-203C	HFSS 1/2-13X1 1/2 GR5		
8.	802-246C	HHCS 5/8-18X1 3/4 GR5		
9.	802-345C	HHCS 1-8X3 GR8		
10.	803-007C	NUT LOCK 1/4-20 PLT		
11.	803-022C	NUT HEX 5/8-18 PLT		
12.	803-037C	NUT HEX WHIZ 1/2-13 PLT		
13.	803-038C	NUT HEX 1-8 NYLON INSERT PLT		
14.	803-095C	NUT HEX SLOTTED 1-14		
15.	804-022C	WASHER LOCK SPRING 5/8 PLT		
16.	804-029C	WASHER FLAT 1 SAE		
17.	808-335C	B-GROOVE PULLEY 11" CAST-IRON		
18.	826-326C	GBOX MOWER 50 HP 1:2.8 CW		
18.	826-326C81	GB MOWER 50 HP 1:2.8 CW GREEN		
18.	826-326C82	GB MOWER 50 HP 1:2.8 CW ORANGE		
18.	826-326C83	GB MOWER 50 HP 1:2.8 CW RED		
18.	826-326C84	GB MOWER 50 HP 1:2.8 CW BLUE		
19.	826-487C	COMER 8.4.7.00516 COTTER		
20.	826-488C	COMER U0.195.7101.00 OIL PLUG		
21.	890-122C	BUSHING 1 1/2 X 1 1/4 X 1 1/2		

Channel Right Hand Deck

Applies to AFM4214



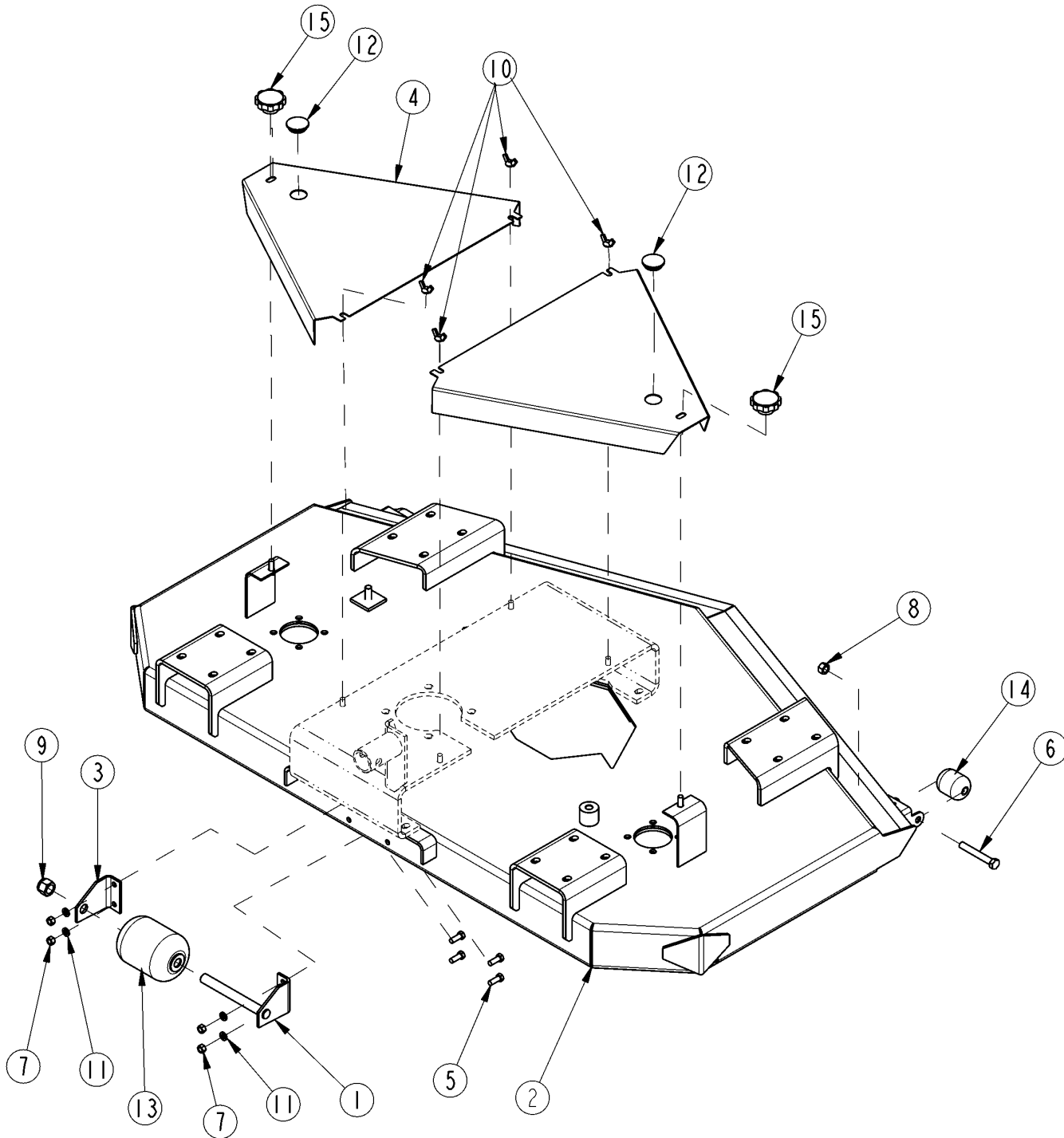
25917

Channel Right Hand Deck**Applies to AFM4214**

Ref	Part No.	Part Description	Comments	Revision
	dwg25917	Drawing Image Number		
1.	310-331D	KEY 1/4 X 11/16 LONG		
2.	315-566D	40200 FLEX ARM PIVOT PIN		
3.	315-672H	14' FLEX ARM		
3.	315-672H81	14' FLEX ARM GREEN		
3.	315-672H82	14' FLEX ARM ORNG		
3.	315-672H83	14' FLEX ARM RED		
3.	315-672H84	14' FLEX ARM BLUE		
4.	315-683H	14' WING GEAR BOX CHANNEL		
4.	315-683H81	14' WING GB CHANNEL GREEN		
4.	315-683H82	14' WING GB CHANNEL ORNG		
4.	315-683H83	14' WING GB CHANNEL RED		
4.	315-683H84	14' WING GB CHANNEL BLUE		
5.	800-080C	GREASE ZERK 1/4-28 THD FORMING		
6.	802-097C	HHCS 1/4-20X2 1/2 GR5		
7.	802-203C	HFSS 1/2-13X1 1/2 GR5		
8.	802-246C	HHCS 5/8-18X1 3/4 GR5		
9.	802-345C	HHCS 1-8X3 GR8		
10.	803-007C	NUT LOCK 1/4-20 PLT		
11.	803-022C	NUT HEX 5/8-18 PLT		
12.	803-037C	NUT HEX WHIZ 1/2-13 PLT		
13.	803-038C	NUT HEX 1-8 NYLON INSERT PLT		
14.	803-095C	NUT HEX SLOTTED 1-14		
15.	804-022C	WASHER LOCK SPRING 5/8 PLT		
16.	804-029C	WASHER FLAT 1 SAE		
17.	808-335C	B-GROOVE PULLEY 11" CAST-IRON		
18.	826-327C	GBOX MOWER 50 HP 1:2.8 CCW		
18.	826-327C81	GB MOWER 50 HP 1:2.8 CCW GREEN		
18.	826-327C82	GB MWR 50 HP 1:2.8 CCW ORANGE		
18.	826-327C83	GB MOWER 50 HP 1:2.8 CCW RED		
18.	826-327C84	GB MOWER 50 HP 1:2.8 CCW BLUE		
19.	826-487C	COMER 8.4.7.00516 COTTER		
20.	826-488C	COMER U0.195.7101.00 OIL PLUG		
21.	890-122C	BUSHING 1 1/2 X 1 1/4 X 1 1/2		

Deck and Roller

Applies to AFM4214



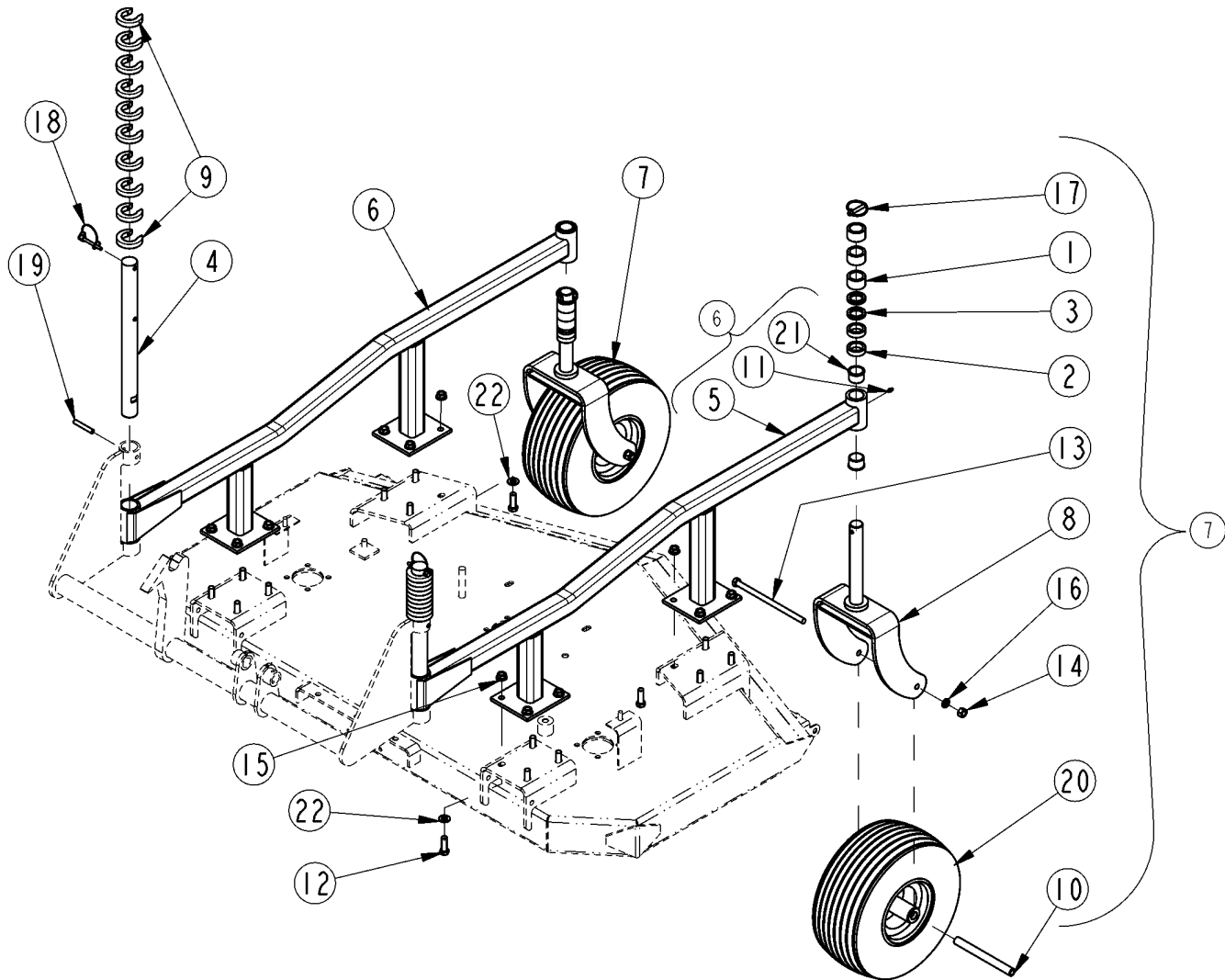
25918

Deck and Roller**Applies to AFM4214**

Ref	Part No.	Part Description	Comments	Revision
	dwg25918	Drawing Image Number		
1.	315-676H	FRONT ROLLER BRKT		
2.	315-678H	AFM 14' DECK RH		
2.	315-678H81	AFM14' DECK RH/CEN GREEN		
2.	315-678H82	AFM 14' DECK RH/CEN ORNG		
2.	315-678H83	AFM 14' DECK RH/CEN RED		
2.	315-678H84	AFM 14' DECK RH/CEN BLUE		
2.	315-677H	AFM 14' DECK LH		
2.	315-677H81	AFM 14' DECK LH GREEN		
2.	315-677H82	AFM 14' DECK LH ORNG		
2.	315-677H83	AFM 14' DECK LH RED		
2.	315-677H84	AFM 14' DECK LH BLUE		
3.	315-963D	FRONT ROLLER MOUNT - RH		
4.	315-971D	14' BELT GUARD		
5.	802-017C	HHCS 3/8-16X1 GR5		
6.	802-041C	HHCS 1/2-13X3 1/2 GR5		
7.	803-014C	NUT HEX 3/8-16 PLT		
8.	803-019C	NUT LOCK 1/2-13 PLT		
9.	803-114C	NUT LOCK 3/4-16 NYLOC COLLAR		
10.	803-231C	NUT WING 3/8-16 PLT		
11.	804-013C	WASHER LOCK SPRING 3/8 PLT		
12.	816-298C	RUBBER PLUG 1 3/8 W/CROSS SLIT		
13.	817-082C	4 X 5 1/2 FRONT ROLLER		
14.	817-195C	ROLLER ANTI-SCALP 2 OD		
15.	817-259C	KNOB 3/8-16 FEMALE THD 2 3/8OD		

Gauge Wheel (15" Dia) Center Deck

Applies to AFM4214



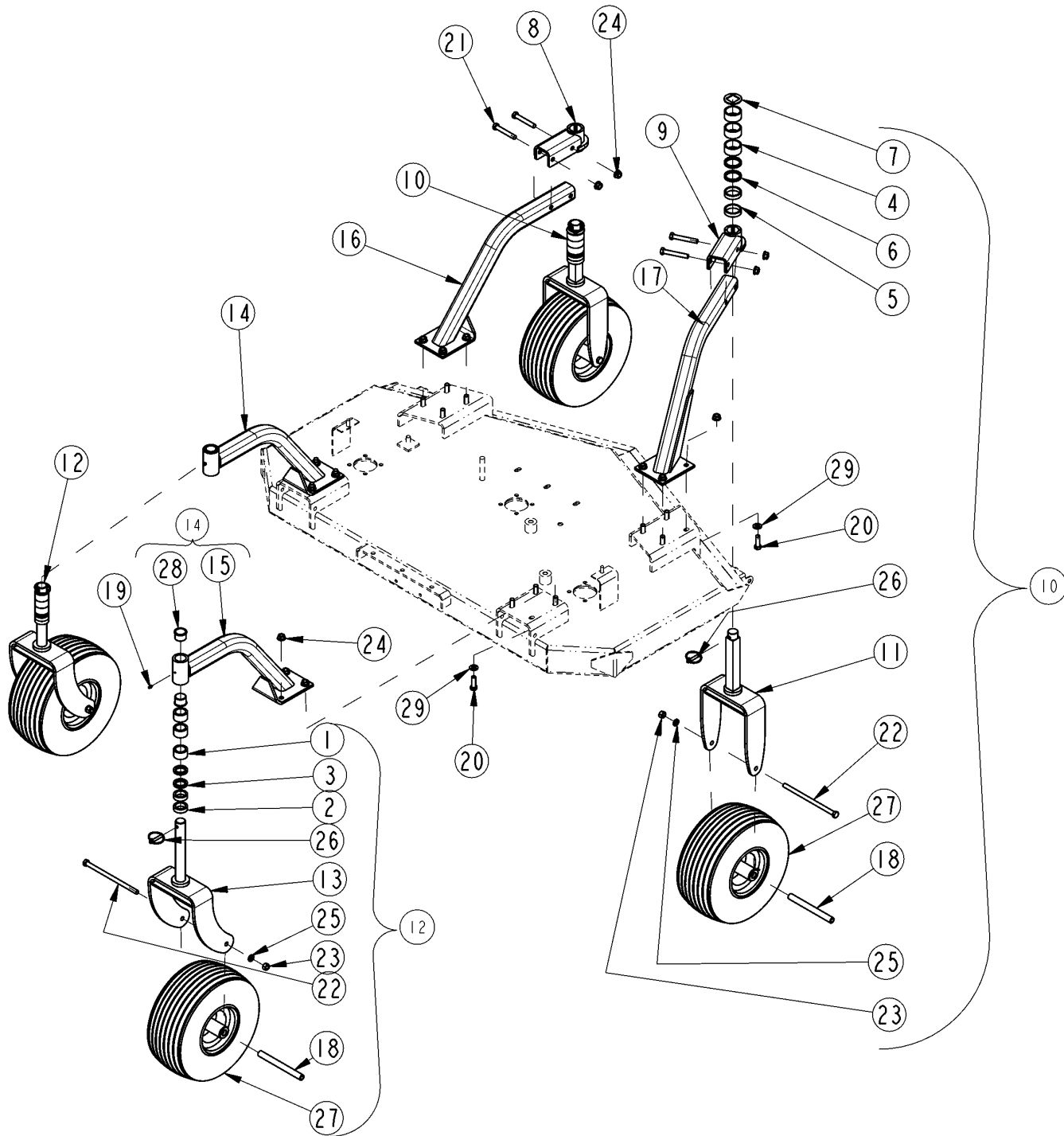
25921

Gauge Wheel (15" Dia) Center Deck**Applies to AFM4214**

Ref	Part No.	Part Description	Comments	Revision
	dwg25921	Drawing Image Number		
1.	310-251D	G.W. SPACER 1		
2.	310-252D	G.W. SPACER 1/2		
3.	310-359D	GW SPACER 1/4		
4.	315-237D	AFM4014/16 CARRIER ROD 1 1/2OD		
5.	315-607H	CENTER DECK CARRIER - 15"		
5.	315-607H81	CNTR DECK CARRIER - 15" GREEN		
5.	315-607H82	CNTR DECK CARRIER - 15" ORANGE		
5.	315-607H83	CNTR DECK CARRIER - 15" RED		
5.	315-607H84	CNTR DECK CARRIER - 15" BLUE		
6.	315-608S	CNTR DECK CARRIER - 15" W/BUSH		
6.	315-608S81	CNTR DECK CARRIER - 15" W/BUSH GREEN		
6.	315-608S82	CNTR DECK CARRIER - 15" W/BUSH ORANGE		
6.	315-608S83	CNTR DECK CARRIER - 15" W/BUSH RED		
6.	315-608S84	CNTR DECK CARRIER - 15" W/BUSH BLUE		
7.	315-707S	CASTER G.W. 15" SHORT		
8.	315-708H	CASTER G.W. YOKE 15" SHORT		
9.	315-733D	C SPACER COLLAR 1/2X1 17/32 ID		
10.	357-487D	TUBE,CASTER WHEEL AXLE		
11.	800-001C	GREASE ZERK STRAIGHT 1/4-28		
12.	802-091C	HHCS 1/2-13X1 1/2 GR5		
13.	802-269C	HHCS 1/2-13X9 GR5		
14.	803-020C	NUT HEX 1/2-13 PLT		
15.	803-169C	NUT HEX FLG. LOCK 1/2-13 PLT.		
16.	804-015C	WASHER LOCK SPRING 1/2 PLT		
17.	805-015C	PIN LINCH 5/16 X 1 3/4		
18.	805-065C	PIN WIRE RETAINING 1/4 X 1 3/4		
19.	805-255C	PIN ROLL 3/8 X 2 1/2 PLT		
20.	814-357C	TIRE/WHL, 15X6.00-6NHS 4PR RIB		
21.	890-202C	GAUGE WHEEL SFT PIVOT BUSHING		
22.	804-016C	WASHER FLAT 1/2 SAE PLT		

Gauge Wheel (15" Dia) Left & Right Deck

Applies to AFM4214



25923

Gauge Wheel (15" Dia) Left & Right Deck**Applies to AFM4214**

Ref	Part No.	Part Description	Comments	Revision
	dwg25923	Drawing Image Number		
1.	310-251D	G.W. SPACER 1		
2.	310-252D	G.W. SPACER 1/2		
3.	310-359D	GW SPACER 1/4		
4.	315-245D	1 1/4 SQ BAR SPACER 1 LG		
5.	315-246D	1 1/4 SQ BAR SPACER 1/2 LG		
6.	315-247D	1 1/4 SQ BAR SPACER 1/4 LG		
7.	315-248D	1 1/4 SQ BAR TOP CAP		
8.	315-648H	NONCASTER BOLT-ON MOUNT		
8.	315-648H81	MOUNT NONCASTER BOLT-ON GREEN		
8.	315-648H82	MOUNT NONCASTER BOLT-ON ORANGE		
8.	315-648H83	MOUNT NONCASTER BOLT-ON RED		
8.	315-648H84	MOUNT NONCASTER BOLT-ON BLUE		
9.	315-652H	NONCASTER BOLT-ON MOUNT RH	RH Deck (Shown)	
9.	315-652H81	NONCASTER BOLT-ON MNT RH GREEN		
9.	315-652H82	NONCASTER BOLT-ON MNT RH ORNG		
9.	315-652H83	NONCASTER BOLT-ON MNT RH RED		
9.	315-652H84	NONCASTER BOLT-ON MNT RH BLUE		
9.	315-653H	NONCASTER BOLT-ON MOUNT LH	LH Deck	
9.	315-653H81	NONCASTER BOLT-ON MNT LH GREEN		
9.	315-653H82	NONCASTER BOLT-ON MNT LH ORNG		
9.	315-653H83	NONCASTER BOLT-ON MNT LH RED		
9.	315-653H84	NONCASTER BOLT-ON MNT LH BLUE		
10.	315-705S	NONCASTER G.W 15" SHORT		
11.	315-706H	NONCASTER G.W. YOKE 15" SHORT		
12.	315-707S	CASTER G.W. 15" SHORT		
13.	315-708H	CASTER G.W. YOKE 15" SHORT		
14.	315-709S	CASTER ARM 14 & 16 AFM 15"		
14.	315-709S81	CASTER ARM 14 & 16 AFM 15" GREEN		
14.	315-709S82	CASTER ARM 14 & 16 AFM 15" ORANGE		
14.	315-709S83	CASTER ARM 14 & 16 AFM 15" RED		
14.	315-709S84	CASTER ARM 14 & 16 AFM 15" BLUE		
15.	315-710H	CASTER ARM 14 & 16 AFM 15"		
15.	315-710H81	CASTER ARM 14&16 AFM GREEN		
15.	315-710H82	CASTER ARM 14&16 AFM ORANGE		
15.	315-710H83	CASTER ARM 14&16 AFM RED		
15.	315-710H84	CASTER ARM 14&16 AFM BLUE		
16.	315-712H	NONCASTER ARM 14 & 16 AFM 15"		
16.	315-712H81	NONCASTER ARM 14&16 AFM GREEN		
16.	315-712H82	NONCASTER ARM 14&16 AFM ORANGE		
16.	315-712H83	NONCASTER ARM 14&16 AFM RED		
16.	315-712H84	NONCASTER ARM 14&16 AFM BLUE		
17.	315-716H	NONCASTER ARM AFM 14 RH 15"	RH Deck (Shown)	
17.	315-716H81	NONCASTER ARM AFM 14 RH GREEN		
17.	315-716H82	NONCASTER ARM AFM 14 RH ORANGE		
17.	315-716H83	NONCASTER ARM AFM 14 RH RED		
17.	315-716H84	NONCASTER ARM AFM 14 RH BLUE		
17.	315-714H	NONCASTER ARM AFM 14 LH 15"	LH Deck	
17.	315-714H81	NONCASTER ARM AFM 14 LH GREEN		
17.	315-714H82	NONCASTER ARM AFM 14 LH ORANGE		
17.	315-714H83	NONCASTER ARM AFM 14 LH RED		
17.	315-714H84	NONCASTER ARM AFM 14 LH BLUE		
18.	357-487D	TUBE,CASTER WHEEL AXLE		
19.	800-001C	GREASE ZERK STRAIGHT 1/4-28		
20.	802-091C	HHCS 1/2-13X1 1/2 GR5		
21.	802-099C	HHCS 1/2-13X3 1/4 GR5		
22.	802-269C	HHCS 1/2-13X9 GR5		
23.	803-020C	NUT HEX 1/2-13 PLT		

Gauge Wheel (15" Dia) Left & Right Deck (continued)

Applies to AFM4214

Ref	Part No.	Part Description	Comments	Revision
24.	803-169C	NUT HEX FLG. LOCK 1/2-13 PLT.		
25.	804-015C	WASHER LOCK SPRING 1/2 PLT		
26.	805-015C	PIN LINCH 5/16 X 1 3/4		
27.	814-357C	TIRE/WHL, 15X6.00-6NHS 4PR RIB		
28.	890-202C	GAUGE WHEEL SFT PIVOT BUSHING		
29.	804-016C	WASHER FLAT 1/2 SAE PLT		

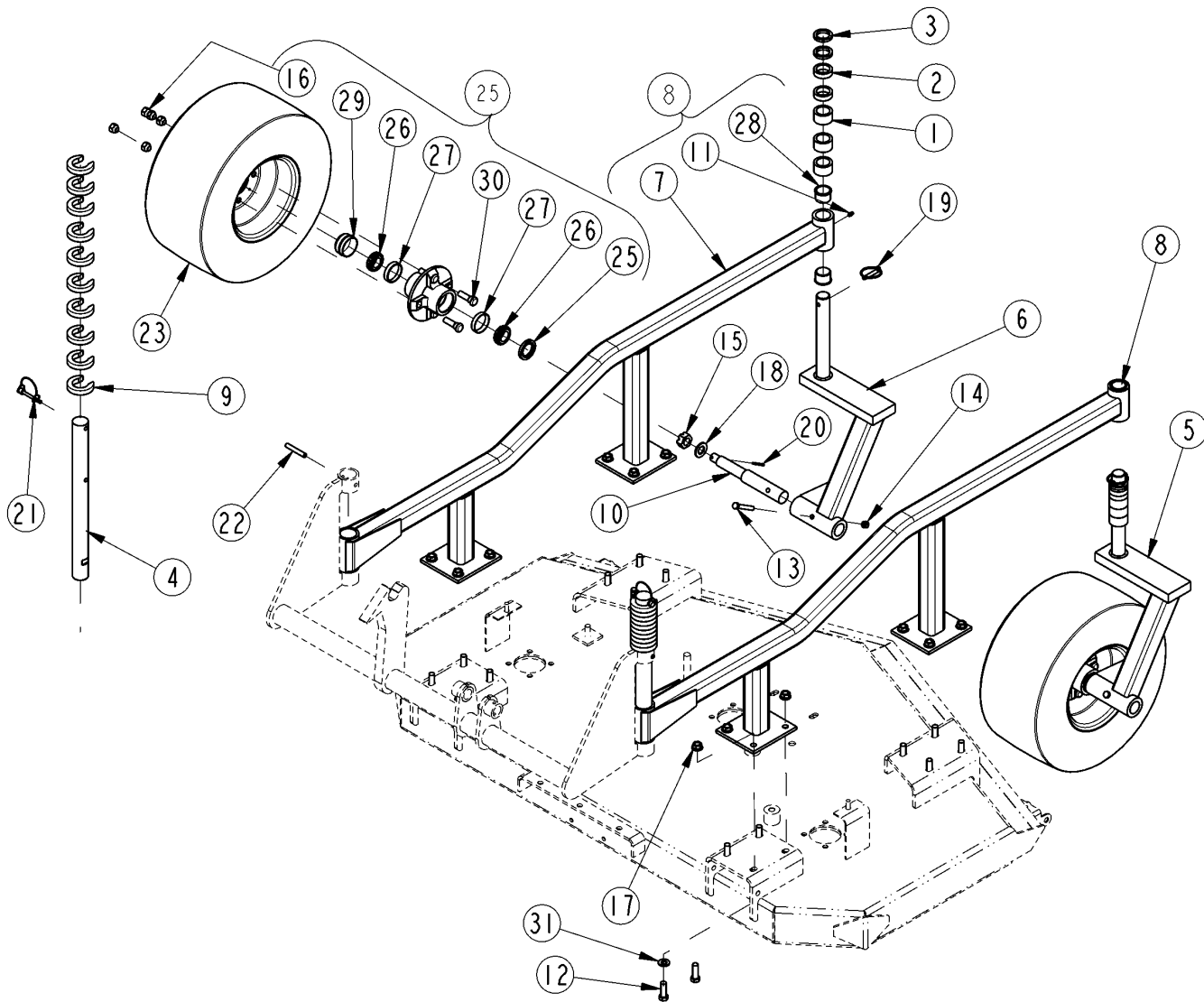
Gauge Wheel (15" Dia) Left & Right Deck (continued)

Applies to AFM4214

This Page Intentionally Left Blank

Gauge Wheel (18" Dia) Center Deck

Applies to AFM4214



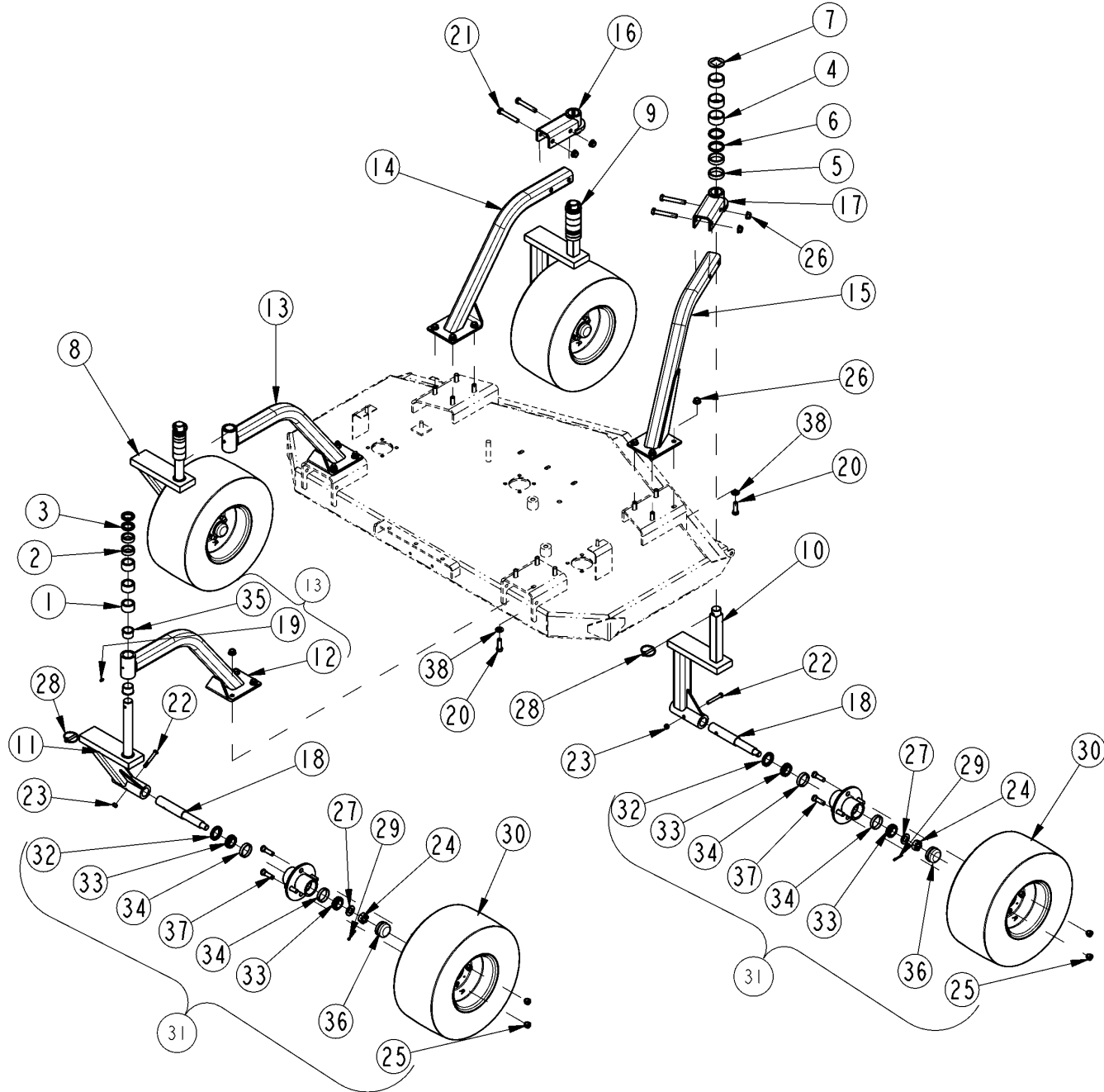
25924

Gauge Wheel (18" Dia) Center Deck**Applies to AFM4214**

Ref	Part No.	Part Description	Comments	Revision
	dwg25924	Drawing Image Number		
1.	310-251D	G.W. SPACER 1		
2.	310-252D	G.W. SPACER 1/2		
3.	310-359D	GW SPACER 1/4		
4.	315-237D	AFM4014/16 CARRIER ROD 1 1/2OD		
5.	315-343S	CASTER G.W. YOKE,18" TIRE ASSY		
6.	315-384H	WELDMENT CASTERED YOKE		
7.	315-643H	CENTER DECK CARRIER		
7.	315-643H81	CENTER DECK CARRIER GREEN		
7.	315-643H82	CENTER DECK CARRIER ORANGE		
7.	315-643H83	CENTER DECK CARRIER RED		
7.	315-643H84	CENTER DECK CARRIER BLUE		
8.	315-679S	CENTER DECK CARRIER W/BUSH		
8.	315-679S81	CENTER DECK CARRIER W/BUSH GREEN		
8.	315-679S82	CENTER DECK CARRIER W/BUSH ORANGE		
8.	315-679S83	CENTER DECK CARRIER W/BUSH RED		
8.	315-679S84	CENTER DECK CARRIER W/BUSH BLUE		
9.	315-733D	C SPACER COLLAR 1/2X1 17/32 ID		
10.	315-768D	SPINDLE 1in		
11.	800-001C	GREASE ZERK STRAIGHT 1/4-28		
12.	802-091C	HHCS 1/2-13X1 1/2 GR5		
13.	802-114C	HHCS 3/8-16X2 1/2 GR5		
14.	803-013C	NUT LOCK 3/8-16 PLT		
15.	803-053C	NUT HEX SLOTTED 3/4-16		
16.	803-159C	NUT LUG 1/2-20X60DEG PLT(.75AF		
17.	803-169C	NUT HEX FLG. LOCK 1/2-13 PLT.		
18.	804-025C	WASHER FLAT 3/4 SAE PLT		
19.	805-015C	PIN LINCH 5/16 X 1 3/4		
20.	805-045C	PIN COTTER 5/32 X 1 1/4 LG		
21.	805-065C	PIN WIRE RETAINING 1/4 X 1 3/4		
22.	805-255C	PIN ROLL 3/8 X 2 1/2 PLT		
23.	814-118C	TIRE & WHL ASSY 18X9.50-8 4PLY		
24.	815-104C	HUB 4-BOLT W/ZERK COMPLETE		
25.	816-014C	TINE GAUGE WHEEL HUB SEAL		
26.	822-030C	BRG CONE 1.00ID L44643		
27.	822-080C	BRG CUP 1.98OD L44610		
28.	890-202C	GAUGE WHEEL SFT PIVOT BUSHING		
29.	890-614C	GREASE CAP #1505		
30.	BO-47	NEILSON STUD 1/2-20UNFX1 13/16		
31.	804-016C	WASHER FLAT 1/2 SAE PLT		

Gauge Wheel (18" Dia) Left & Right Deck

Applies to AFM4214



25925

Gauge Wheel (18" Dia) Left & Right Deck**Applies to AFM4214**

Ref	Part No.	Part Description	Comments	Revision
	dwg25925	Drawing Image Number		
1.	310-251D	G.W. SPACER 1		
2.	310-252D	G.W. SPACER 1/2		
3.	310-359D	GW SPACER 1/4		
4.	315-245D	1 1/4 SQ BAR SPACER 1 LG		
5.	315-246D	1 1/4 SQ BAR SPACER 1/2 LG		
6.	315-247D	1 1/4 SQ BAR SPACER 1/4 LG		
7.	315-248D	1 1/4 SQ BAR TOP CAP		
8.	315-343S	CASTER G.W. YOKE,18" TIRE ASSY		
9.	315-344S	NONCASTER G.W. YOKE,18"TR ASSY		
10.	315-383H	WELDMNT NON-CASTERED YOKE		
11.	315-384H	WELDMNT CASTERED YOKE		
12.	315-615H	CASTER ARM WLDMNT 14&16 AFM		
12.	315-615H81	CASTER ARM 14&16 AFM GREEN		
12.	315-615H82	CASTER ARM 14&16 AFM ORANGE		
12.	315-615H83	CASTER ARM 14&16 AFM RED		
12.	315-615H84	CASTER ARM 14&16 AFM BLUE		
13.	315-616S	CASTER ARM 14 & 16 AFM ASSY		
13.	315-616S81	CASTER ARM 14 & 16 AFM ASSY GREEN		
13.	315-616S82	CASTER ARM 14 & 16 AFM ASSY ORANGE		
13.	315-616S83	CASTER ARM 14 & 16 AFM ASSY RED		
13.	315-616S84	CASTER ARM 14 & 16 AFM ASSY BLUE		
14.	315-618H	NONCASTER ARM AFM 14 & 16		
14.	315-618H81	NONCASTER ARM AFM 16 GREEN		
14.	315-618H82	NONCASTER ARM AFM 16 ORANGE		
14.	315-618H83	NONCASTER ARM AFM 16 RED		
14.	315-618H84	NONCASTER ARM AFM 16 BLUE		
15.	315-645H	NONCASTER ARM WLDMNT RH DECK	RH Deck (Shown)	
15.	315-645H81	NONCASTER ARM RH DECK GREEN		
15.	315-645H82	NONCASTER ARM RH DECK ORANGE		
15.	315-645H83	NONCASTER ARM RH DECK RED		
15.	315-645H84	NONCASTER ARM RH DECK BLUE		
15.	315-644H	NONCASTER ARM WLDMNT LH DECK	LH Deck	
15.	315-644H81	NONCASTER ARM LH DECK GREEN		
15.	315-644H82	NONCASTER ARM LH DECK ORANGE		
15.	315-644H83	NONCASTER ARM LH DECK RED		
15.	315-644H84	NONCASTER ARM LH DECK BLUE		
16.	315-648H	NONCASTER BOLT-ON MOUNT		
16.	315-648H81	MOUNT NONCASTER BOLT-ON GREEN		
16.	315-648H82	MOUNT NONCASTER BOLT-ON ORANGE		
16.	315-648H83	MOUNT NONCASTER BOLT-ON RED		
16.	315-648H84	MOUNT NONCASTER BOLT-ON BLUE		
17.	315-652H	NONCASTER BOLT-ON MOUNT RH	RH Deck (Shown)	
17.	315-652H81	NONCASTER BOLT-ON MNT RH GREEN		
17.	315-652H82	NONCASTER BOLT-ON MNT RH ORNG		
17.	315-652H83	NONCASTER BOLT-ON MNT RH RED		
17.	315-652H84	NONCASTER BOLT-ON MNT RH BLUE		
17.	315-653H	NONCASTER BOLT-ON MOUNT LH	LH Deck	
17.	315-653H81	NONCASTER BOLT-ON MNT LH GREEN		
17.	315-653H82	NONCASTER BOLT-ON MNT LH ORNG		
17.	315-653H83	NONCASTER BOLT-ON MNT LH RED		
17.	315-653H84	NONCASTER BOLT-ON MNT LH BLUE		
18.	315-768D	SPINDLE 1in		
19.	800-001C	GREASE ZERK STRAIGHT 1/4-28		
20.	802-091C	HHCS 1/2-13X1 1/2 GR5		
21.	802-099C	HHCS 1/2-13X3 1/4 GR5		
22.	802-114C	HHCS 3/8-16X2 1/2 GR5		
23.	803-013C	NUT LOCK 3/8-16 PLT		

Gauge Wheel (18" Dia) Left & Right Deck (continued)

Applies to AFM4214

Ref	Part No.	Part Description	Comments	Revision
24.	803-053C	NUT HEX SLOTTED 3/4-16		
25.	803-159C	NUT LUG 1/2-20X60DEG PLT(.75AF		
26.	803-169C	NUT HEX FLG. LOCK 1/2-13 PLT.		
27.	804-025C	WASHER FLAT 3/4 SAE PLT		
28.	805-015C	PIN LINCH 5/16 X 1 3/4		
29.	805-045C	PIN COTTER 5/32 X 1 1/4 LG		
30.	814-118C	TIRE & WHL ASSY 18X9.50-8 4PLY		
31.	815-104C	HUB 4-BOLT W/ZERK COMPLETE		
32.	816-014C	TINE GAUGE WHEEL HUB SEAL		
33.	822-030C	BRG CONE 1.00ID L44643		
34.	822-080C	BRG CUP 1.98OD L44610		
35.	890-202C	GAUGE WHEEL SFT PIVOT BUSHING		
36.	890-614C	GREASE CAP #1505		
37.	BO-47	NEILSON STUD 1/2-20UNFX1 13/16		
38.	804-016C	WASHER FLAT 1/2 SAE PLT		

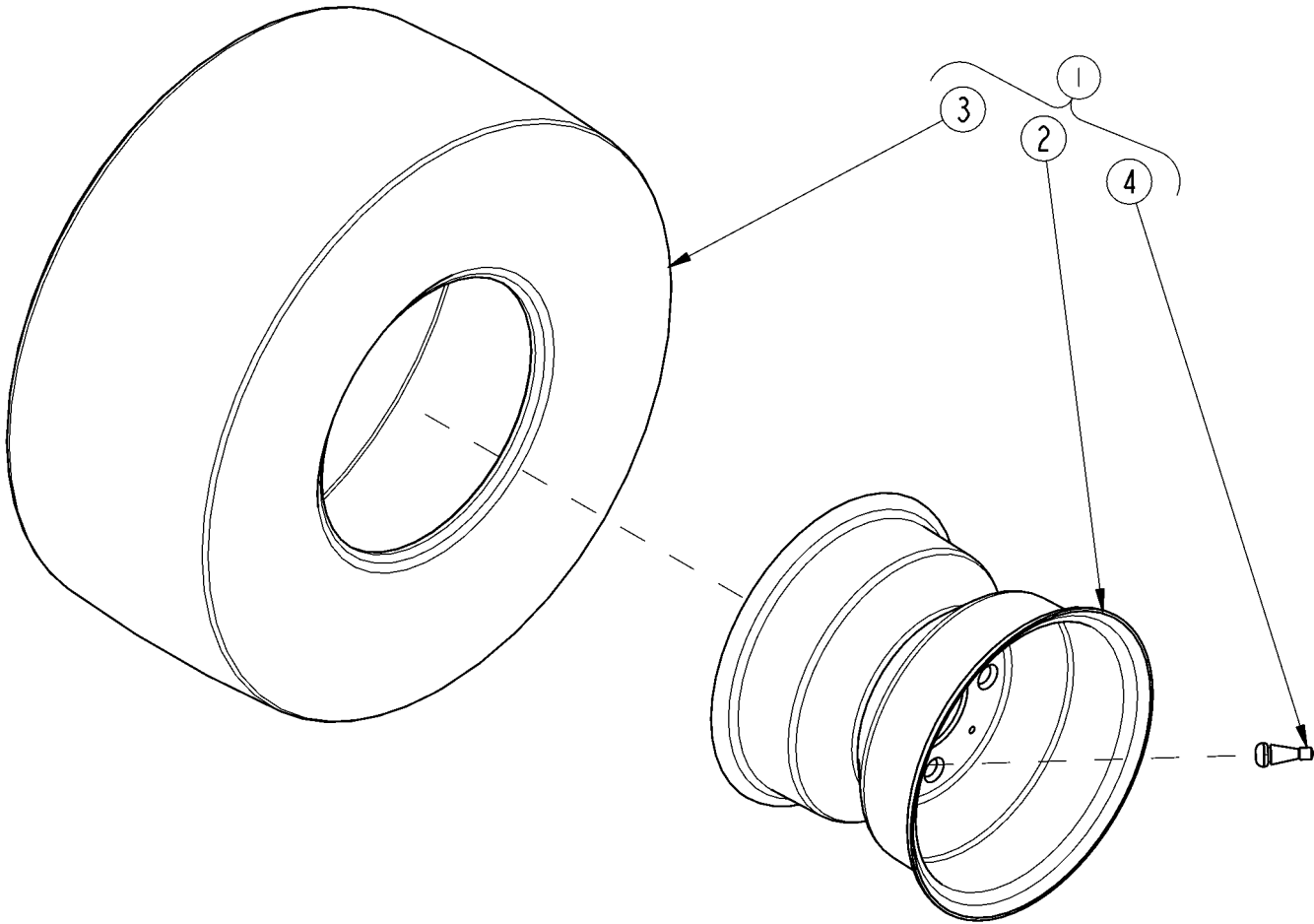
Gauge Wheel (18" Dia) Left & Right Deck (continued)

Applies to AFM4214

This Page Intentionally Left Blank

Tire & Wheel 18 X 9.50-8 (814-118C)

Applies to AFM4214



25926

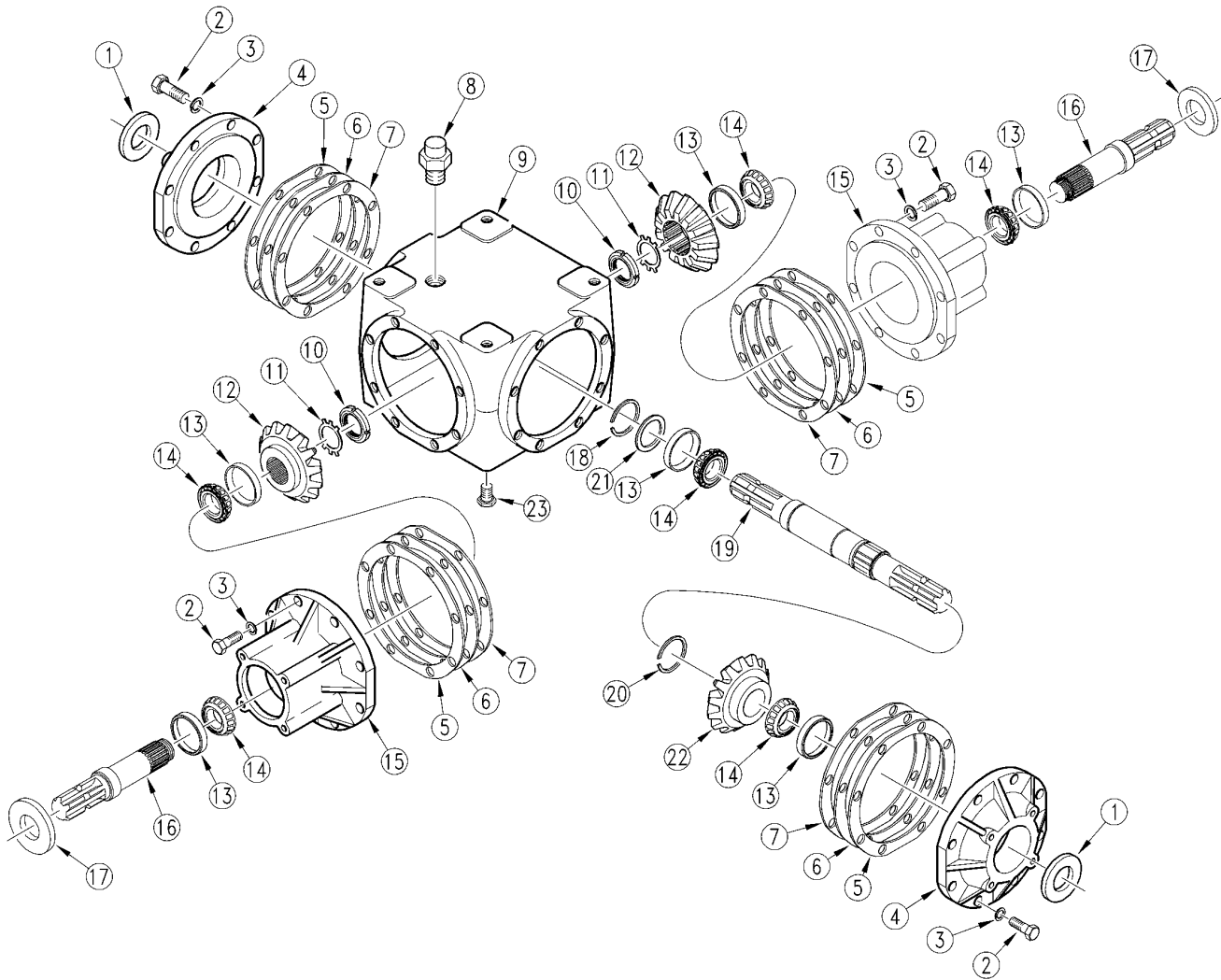
Tire & Wheel 18 X 9.50-8 (814-118C)

Applies to AFM4214

Ref	Part No.	Part Description	Comments	Revision
	dwg25926	Drawing Image Number		
1.	814-118C	TIRE & WHL ASSY 18X9.50-8 4PLY		
2.	492107	CARLISLE RIM FOR 18X9.5-8 TIRE		
3.	10-097	CARLISLE TIRE 18 X 9.5-8 4PLY		
4.	TR-412	T1. VALVE MARTIN		

Gearbox 4-Way Splitter (826-274C) OMNI (S/N 272760+)

Applies to AFM4214



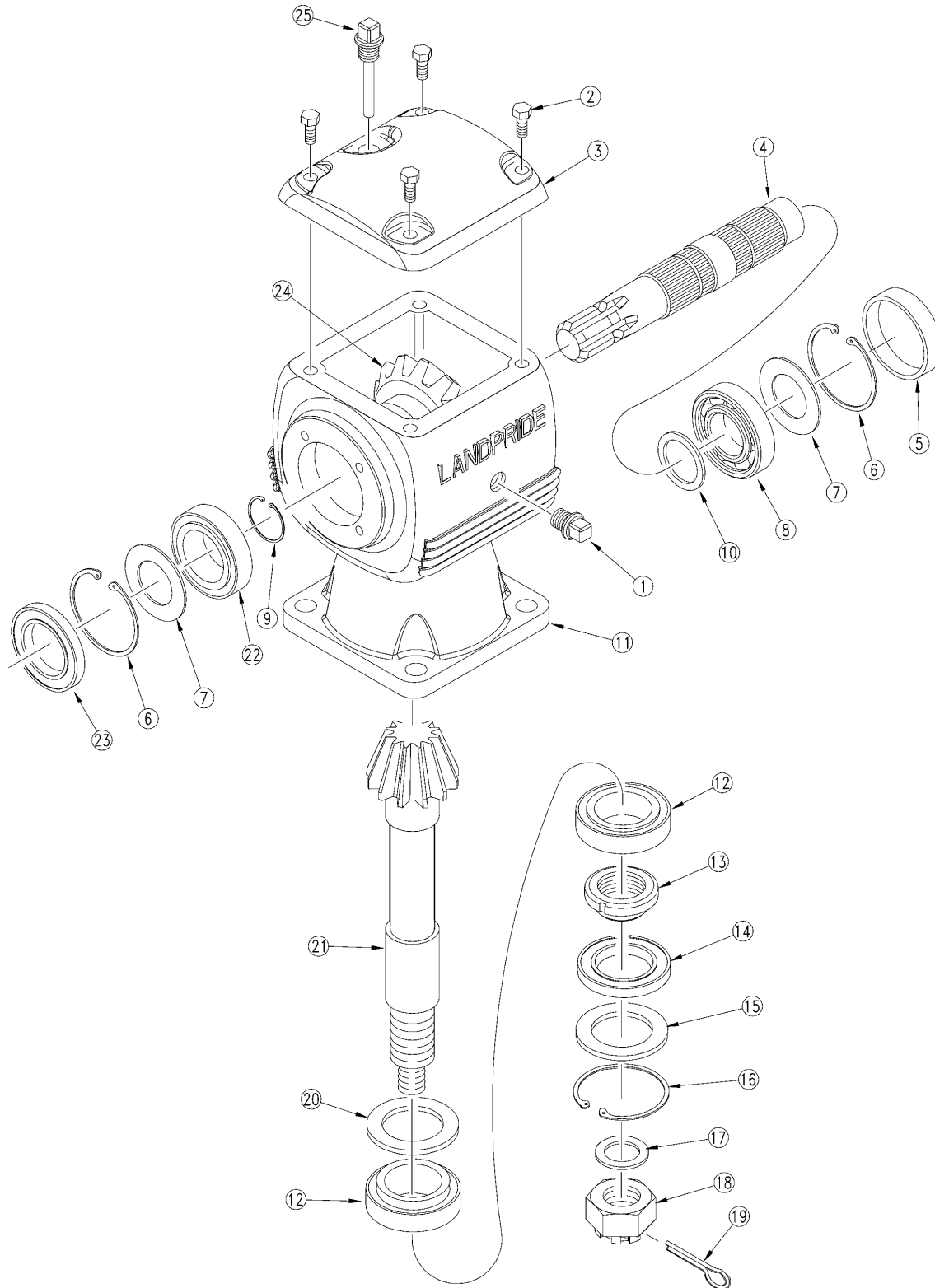
18259

Gearbox 4-Way Splitter (826-274C) OMNI (S/N 272760+)**Applies to AFM4214**

Ref	Part No.	Part Description	Comments	Revision
	dwg18259	Drawing Image Number		
	826-274C	GBOX DIVIDER OMNI 250559 1:1		
1.	060133	OMNI SEAL-THROUGH CAP (3-LIP)		
2.	802-159C	HHCS 5/16-18X1 GR5		
3.	804-009C	WASHER LOCK SPRING 5/16 PLT		
4.	020166	OMNI CAP, THRU		
5.	070218	OMNI GASKET, CAP 0.10MM		
6.	070219	OMNI GASKET, CAP 0.20MM		
7.	070220	OMNI GASKET, CAP 0.30MM		
8.	140055	OMNI PLUG REL1/2-14NPTF,DPSTCK		
9.	010180	OMNI HOUSING, 400 SER. 5B MODI		
10.	120126	LOCK NUT, BEARING M30X1.5		
11.	130146	LOCKWASHER, BEARING M30		
12.	030512	OMNI GEAR, OUTPUT 20T (1:1)		
13.	050170	REP BY 050172 CUP		
14.	050172	REP BY 822-167C		
15.	020164	OMNI CAP CANTILEVERED		
16.	040345	OMNI SHAFT-OUTPUT 1 3/8-6A SPL		
17.	060134	OMNI SEAL, CANT. CAP (3-LIP)		
18.	200142	OMNI RETAINING RING, 35MM		
19.	040343	OMNI SHAFT-INPUT 1 3/8-6A SPL		
20.	200141	OMNI RTNG. RING 38MM RC DSH-38		
21.	090099	OMNI SPACER		
22.	030467	OMNI GEAR, INPUT 20T (1:1)		
23.	140004	OMNI PLUG, SOCKET HD. 1/2 PIPE		

Gearbox Center & Right Deck (826-327C) Comer (S/N 368118 +)

Applies to AFM4214



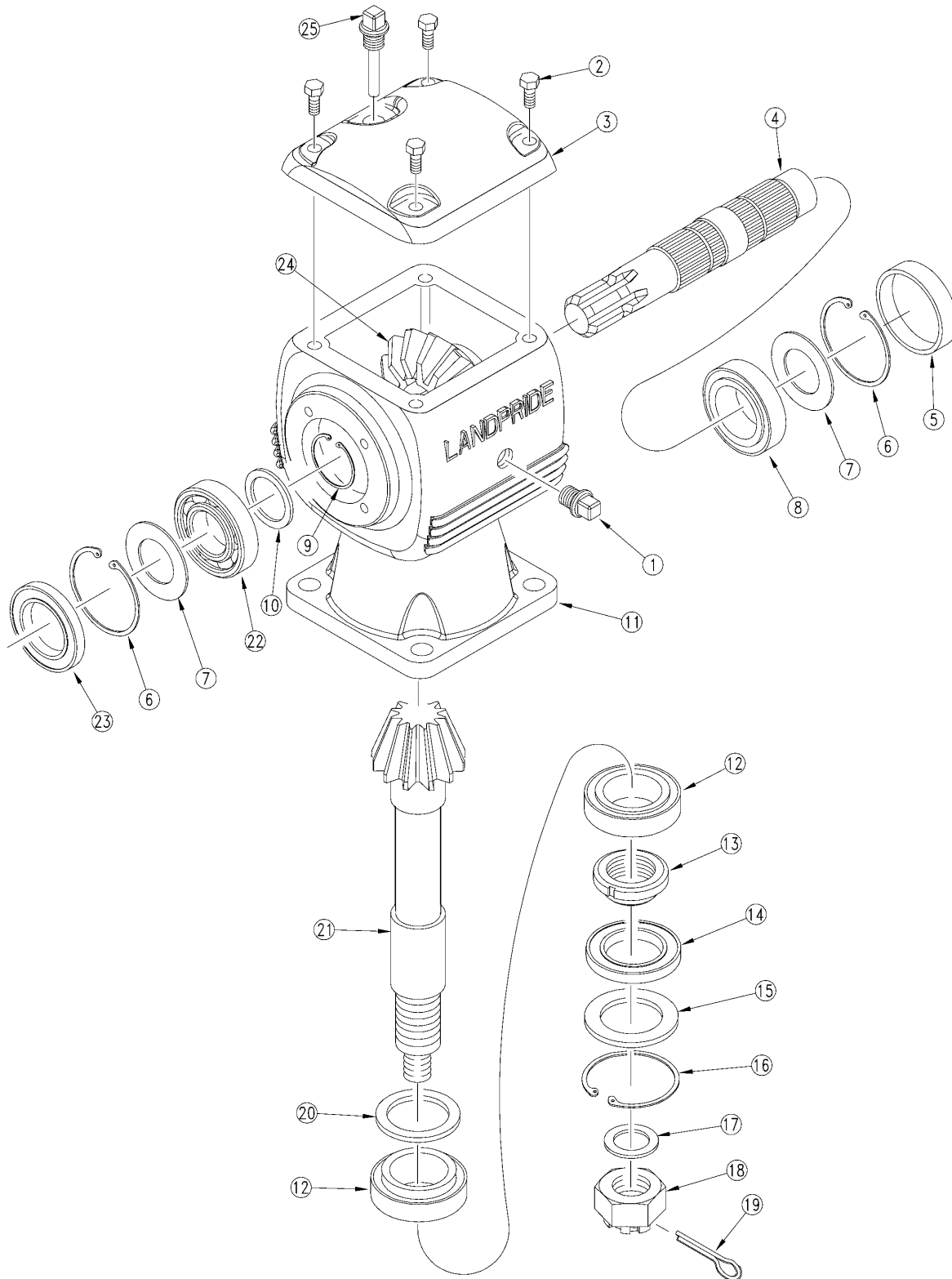
19550

Gearbox Center & Right Deck (826-327C) Comer (S/N 368118 +)**Applies to AFM4214**

Ref	Part No.	Part Description	Comments	Revision
	dwg19550	Drawing Image Number		
	826-327C	GBOX MOWER 50 HP 1:2.8 CCW		
1.	8.6.5.00006	CO OIL PLUG 3/8		
2.	8.1.1.00501	CO BOLT M8X22 HHB		
3.	0.195.1300.00	CO COVER		
4.	0.195.2000.00	CO INPUT SHAFT 1" 3/8 Z6		
5.	8.7.0.00744	CO CAP 72 X 10		
6.	8.5.2.00131	CO SNAP RING INT 72 UN17437		
7.	A.248.500	COMER SHIM KIT 71.7		
8.	822-166C	BEARING BALL 6207		
9.	8.5.1.00680	CO SNAP RING 40 UNI 7436		
10.	0.259.7525.00	CO SHIM 35.3 X 48 X 2.5		
11.	0.195.0300.00	CO HOUSING		
12.	8.0.9.00102	CO ROLLER BEARING 32208 CL-B		
13.	0.278.7103.00	CO NUT M40 X 1.5		
14.	8.7.3.00081	CO OIL SEAL 35 X 80 X 10 RTA35		
15.	1.195.7100.00	CO PROTECTIVE FLAT WASHER		
16.	8.5.3.00955	CO SNAP RING SB 81		
17.	8.3.2.00409	CO FLAT WASHER 25 X 44 X 4		
18.	8.2.2.01144	NUT CASTLE M 24 X 2		
19.	8.4.7.00516	CO COTTER PIN B5 X 50		
20.	A244.501	CO SHIM 40.3 X 51.5 826-067C		
21.	0.195.5000.00	CO PINION Z12 M4.7		
22.	8.0.9.00026	CO ROLLER BEARING 30207 CL-B		
23.	8.7.3.00055	CO OIL SEAL 35 X 72 X 10		
24.	0.195.6000.00	CO CROWN GEAR Z33 M4.7		
25.	U0.195.7101.00	CO OIL LEVEL PLUG 3/8" GAS		

Gearbox Left Deck (826-326C) Comer (S/N 368118+)

Applies to AFM4214



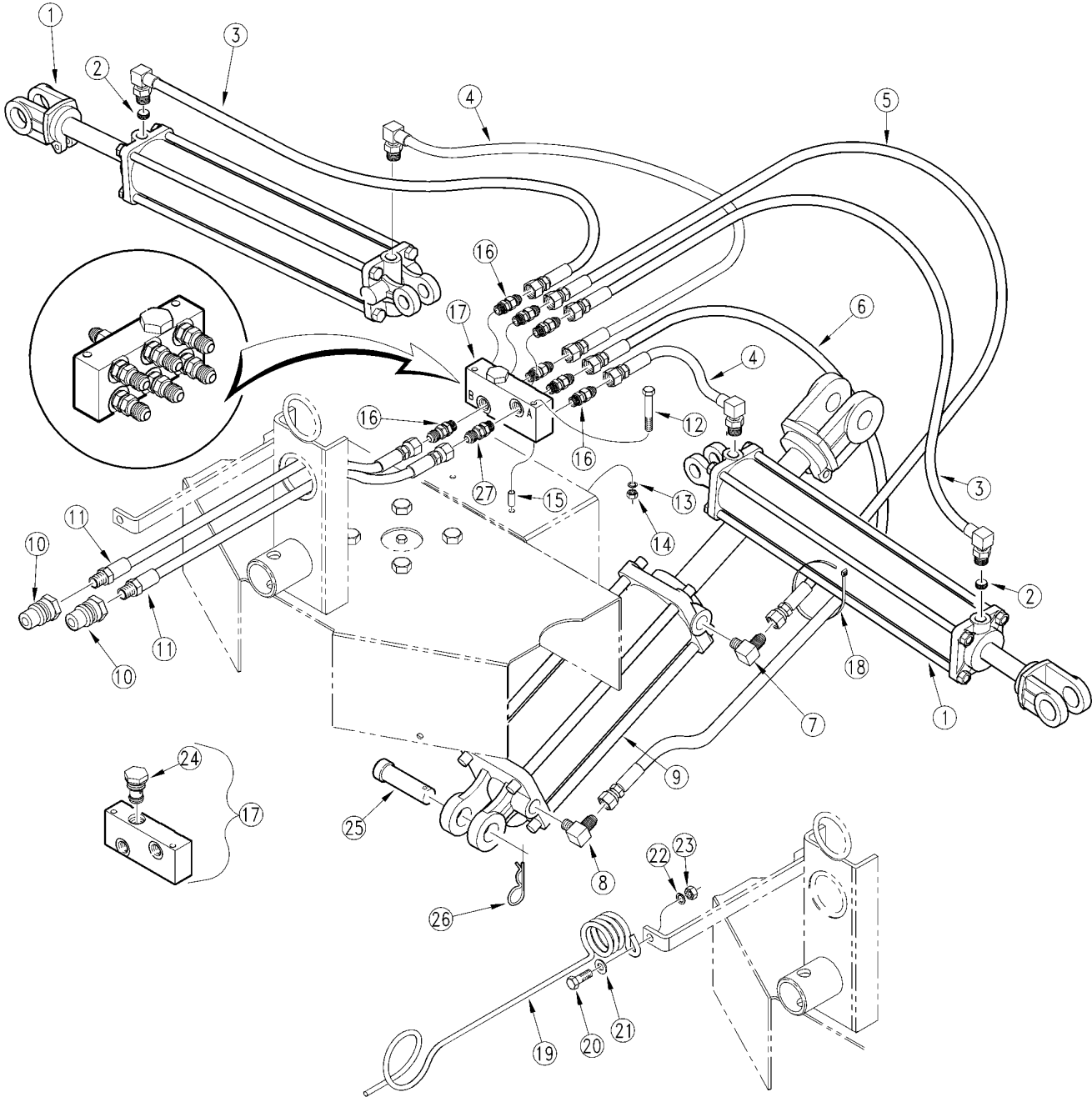
19549

Gearbox Left Deck (826-326C) Comer (S/N 368118+)**Applies to AFM4214**

Ref	Part No.	Part Description	Comments	Revision
	dwg19549	Drawing Image Number		
	826-326C	GBOX MOWER 50 HP 1:2.8 CW		
1.	8.6.5.00006	CO OIL PLUG 3/8		
2.	8.1.1.00501	CO BOLT M8X22 HHB		
3.	0.195.1300.00	CO COVER		
4.	0.195.2000.00	CO INPUT SHAFT 1" 3/8 Z6		
5.	8.7.0.00744	CO CAP	72 X 10	
6.	8.5.2.00131	CO SNAP RING INT 72 UN17437		
7.	A.248.500	COMER SHIM KIT 71.7		
8.	8.0.9.00026	CO ROLLER BEARING 30207 CL-B		
9.	8.5.1.00680	CO SNAP RING 40 UNI 7436		
10.	0.259.7525.00	CO SHIM 35.3 X 48 X 2.5		
11.	0.195.0300.00	CO HOUSING		
12.	8.0.9.00102	CO ROLLER BEARING 32208 CL-B		
13.	0.278.7103.00	CO NUT M40 X 1.5		
14.	8.7.3.00081	CO OIL SEAL 35 X 80 X 10 RTA35		
15.	1.195.7100.00	CO PROTECTIVE FLAT WASHER		
16.	8.5.3.00955	CO SNAP RING SB 81		
17.	8.3.2.00409	CO FLAT WASHER 25 X 44 X 4		
18.	8.2.2.01144	NUT CASTLE M 24 X 2		
19.	8.4.7.00516	CO COTTER PIN B5 X 50		
20.	A244.501	CO SHIM 40.3 X 51.5 826-067C		
21.	0.195.5000.00	CO PINION Z12 M4.7		
22.	822-166C	BEARING BALL 6207		
23.	8.7.3.00055	CO OIL SEAL 35 X 72 X 10		
24.	0.195.6000.00	CO CROWN GEAR Z33 M4.7		
25.	U0.195.7101.00	CO OIL LEVEL PLUG 3/8" GAS		

Hydraulic Arrangement

Applies to AFM4214



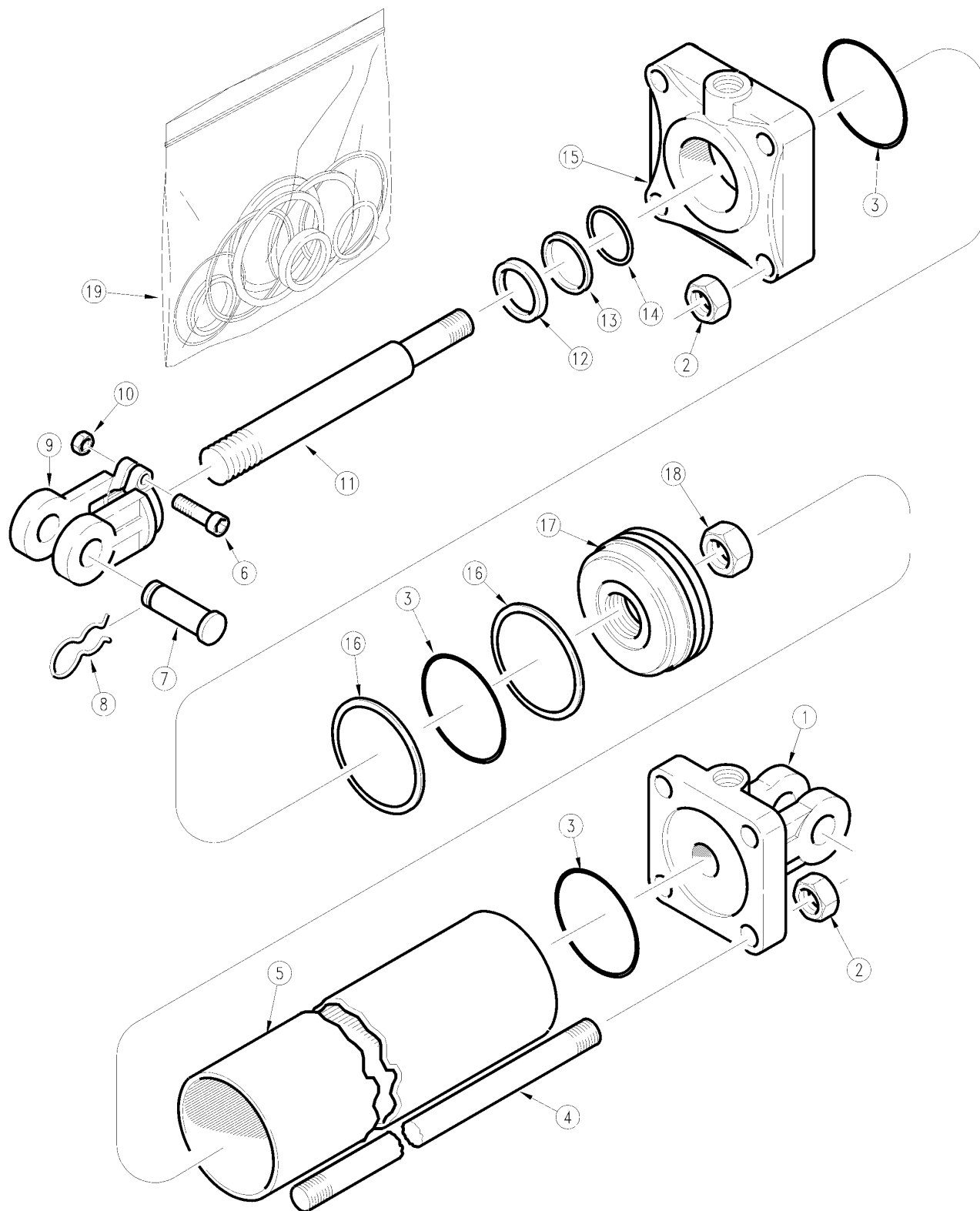
13562

Hydraulic Arrangement**Applies to AFM4214**

Ref	Part No.	Part Description	Comments	Revision
	dwg13562	Drawing Image Number		
1.	810-150C	CYL 2.5X12X1.25 ROD (TIE ROD)		
2.	811-447C	ORPL 1/32 9/16MORB		
3.	811-445C	HH1/4R2 035 9/16FJIC 3/8MORB90		
4.	811-444C	HH1/4R2 020 9/16FJIC 3/8MORB90		
5.	811-442C	HH1/4R2 028 9/16FJIC		
6.	811-443C	HH1/4R2 036 9/16FJIC		
7.	811-065C	EL 9/16MJIC 9/16MORB		
8.	811-065C	EL 9/16MJIC 9/16MORB		
9.	810-200C	CYL 2.5X8X1.12 ROD (TIE)1 PIN		
10.	811-394C	CP 3/4FORB MALE QD		
11.	811-441C	HH1/4R2 096 9/16FJIC 3/4 MORB		
12.	802-451C	HHCS 1/4-20X4 GR5		
12.	802-308C	HHCS 1/4-20X3 1/4 GR5		
13.	804-006C	WASHER LOCK SPRING 1/4 PLT		
14.	803-006C	NUT HEX 1/4-20 PLT		
15.	315-743D	SPCR 1/2 OD X .28ID X 1 3/8		
15.	315-492D	SPCR 1/2 OD X .28 ID X 5/8		
16.	811-170C	AD 9/16MORB 9/16MJIC		
17.	811-495C	SP-8 PORT RELIEF 9/16-18FORB		
18.	800-060C	CABLE TIE .19X14.25 3DIA 50LB		
19.	807-023C	SPRING HOSE LOOP		
20.	802-079C	HHCS 3/8-16X1 1/4 GR5		
21.	804-012C	WASHER FLAT 3/8 SAE PLT		
22.	804-013C	WASHER LOCK SPRING 3/8 PLT		
23.	803-014C	NUT HEX 3/8-16 PLT		
24.	8026	SHMKR CRTRDG RELIEF VALVE ASSY		
25.	805-004C	PIN CLEVIS 1 X 2 3/4 USABLE LG		
26.	805-088C	PIN, HAIR COTTER 3/16 WIRE DIA		
27.	811-694C	ORAD 1/32 9/16MORB 9/16MJIC		

Hydraulic Cylinder (810-150C) Cross

Applies to AFM4214



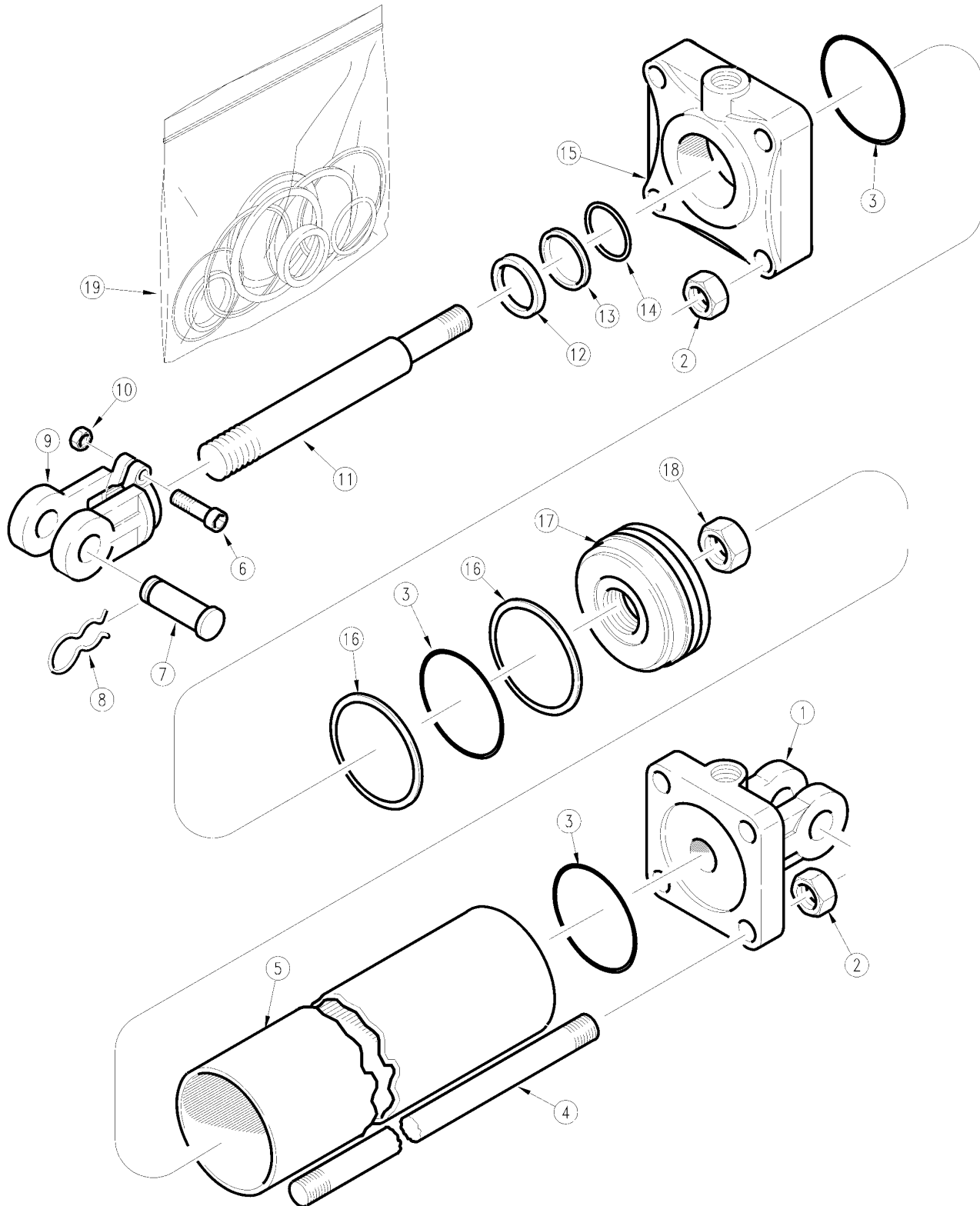
11421

Hydraulic Cylinder (810-150C) Cross**Applies to AFM4214**

Ref	Part No.	Part Description	Comments	Revision
	dwg11421	Drawing Image Number		
	810-150C	CYL 2.5X12X1.25 ROD (TIE ROD)		
1.	1D1505-3	BASE CROSS		
2.	2A0235-6	CROSS NUT, CLEVIS & TIE ROD		
3.		O-RING	Only found in seal kit 19.	
4.	2A0578-1675	TIE ROD CROSS		
5.	1D0005-1450	TUBE CROSS		
6.	2A0079-616	CROSS SCREW, CAP		
7.	1D1551-16275	CROSS CLEVIS PIN		
8.	2A0308-1	REP BY 805-032C		
9.	1D1003-5	CROSS ROD CLEVIS		
10.	2A0235-6	CROSS NUT, CLEVIS & TIE ROD		
11.	1D0206-1675	ROD CROSS		
12.		WIPER	Only found in seal kit 19.	
13.		BACKUP ROD	Only found in seal kit 19.	
14.		O-RING	Only found in seal kit 19.	
15.	1D1155-17	HEAD CROSS		
16.		BACKUP PISTON	Only found in seal kit 19.	
17.	1D1401-250	PISTON CROSS		
18.	2A0246-12	CROSS NUT, PISTON		
19.	810-178C	SEAL KIT CROSS 2.5 CYL 1C4982		

Hydraulic Cylinder (810-150C) Midway

Applies to AFM4214



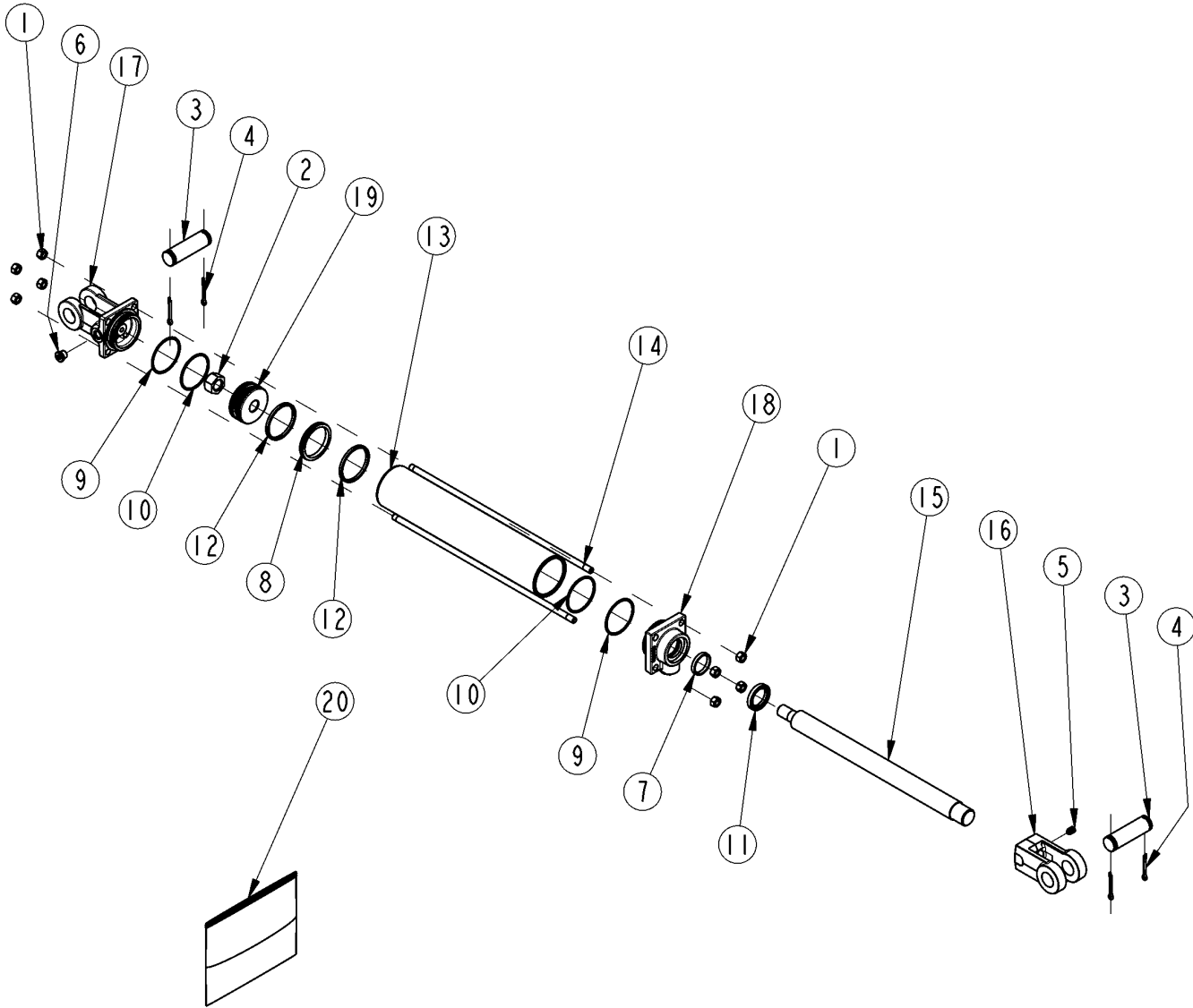
11421

Hydraulic Cylinder (810-150C) Midway**Applies to AFM4214**

Ref	Part No.	Part Description	Comments	Revision
	dwg11421	Drawing Image Number		
	810-150C	CYL 2.5X12X1.25 ROD (TIE ROD)		
1.	6M3118	MW BASE		
2.	2A0012	MW NUT CLEVIS & TIE ROD		
3.		O-RING	Only found in seal kit 19.	
4.	7M3320	MW TIE	ROD	
5.	5M3120	MW TUBE		
6.	2A0006	REPL. BY 802-023C		
7.	2A0208	MW CLEVIS PIN		
8.	2A0132	MW PIN CLIP		
9.	1M6010	MW CLEVIS STD. DUTY		
10.	2A0012	MW NUT CLEVIS & TIE ROD		
11.	2M3418	MW ROD		
12.		WIPER	Only found in seal kit 19.	
13.		BACKUP ROD	Only found in seal kit 19.	
14.		O-RING	Only found in seal kit 19.	
15.	3M3406	MW HEAD		
16.		BACKUP PISTON	Only found in seal kit 19.	
17.	4M3102	REPL. BY 4M3108		
18.	2A0022	MW NUT, PISTON		
19.	810-177C	SEAL KIT MW 2.5X1.25ROD 3A3104		

Hydraulic Cylinder (810-150C) Red Lion

Applies to AFM4214



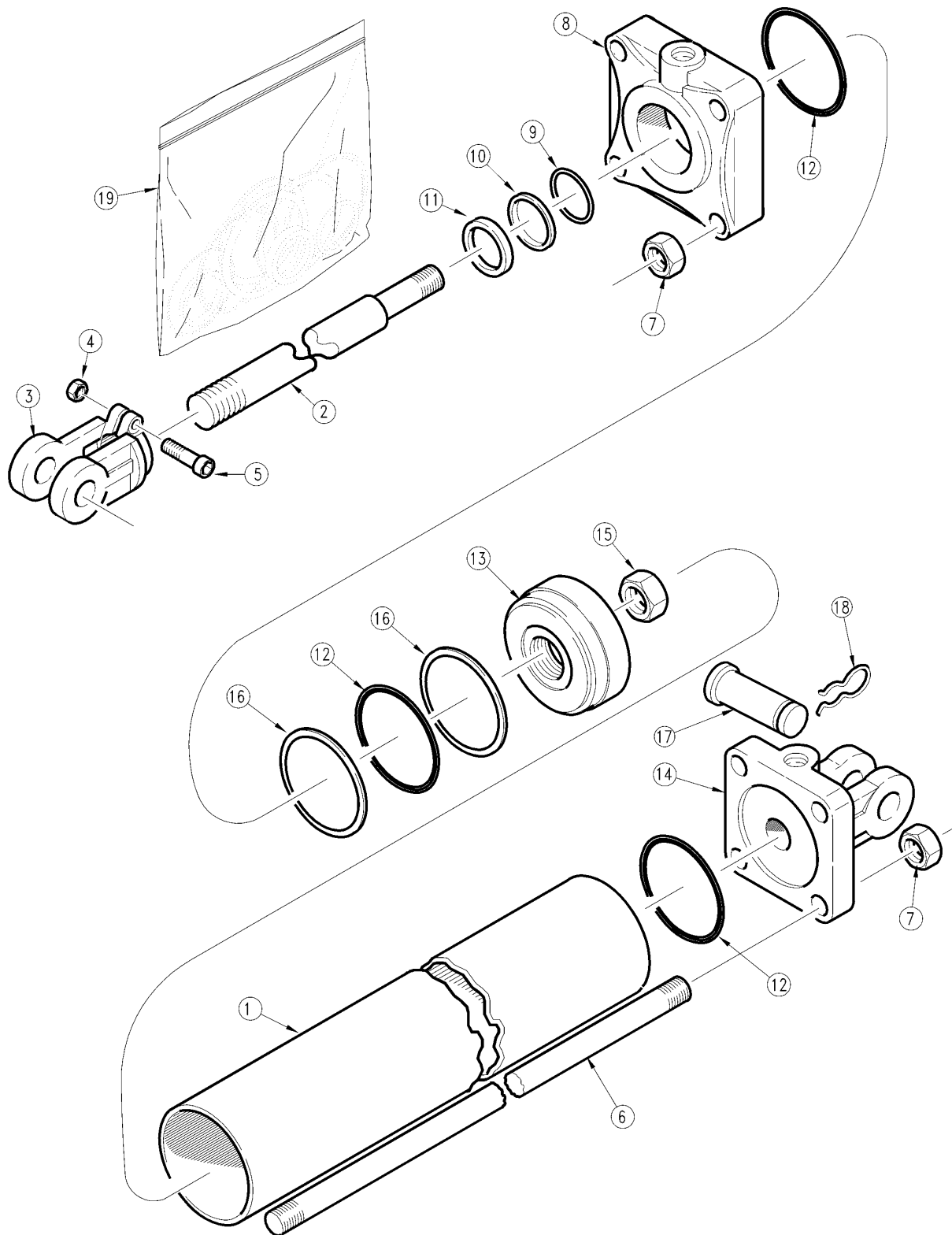
25899

Hydraulic Cylinder (810-150C) Red Lion**Applies to AFM4214**

Ref	Part No.	Part Description	Comments	Revision
	dwg25899	Drawing Image Number		
	810-150C	CYL 2.5X12X1.25 ROD (TIE ROD) *		
1.	803-014C	NUT HEX 3/8-16 PLT		
2.	130556	MON PISTON NUT		
3.	134953	LION PIN		
4.	135995	MON CLEVIS PIN COTTER		
5.	801-023C	SCREW SET SH 3/8-16X3/8 TYPE C		
6.	186561	PLUG 9/16-18UNF MORB SOCKET HD		
7.	N/A	MON ROD SEAL	Only Found in Kit #20	
8.	N/A	MON PISTON SEAL	Only Found in Kit #20	
9.	N/A	MON END CAP BACKUP WASHERS	Only Found in Kit #20	
10.	N/A	MON END CAP O-RING	Only Found in Kit #20	
11.	N/A	SEAL WIPER ROD	Only Found in Kit #20	
12.	N/A	MON PISTON WEAR RING	Only Found in Kit #20	
13.	491672	LION CYL TUBE 2.5 X 12		
14.	492222	LION TIE ROD 3/8, 12 CYL		
15.	492647	LION ROD 1.25 X 12		
16.	492650	LION ROD CLEVIS 1 1/8-12UNF		
17.	492688	LION CLEVIS CAP 2.5, 9/16 ORB		
18.	492724	LION ROD CAP 2.5X1.25 9/16 ORB		
19.	494768	MON PISTON		
20.	645004	MON SEALS REPAIR KIT		

Hydraulic Cylinder (810-200C) Midway

Applies to AFM4214



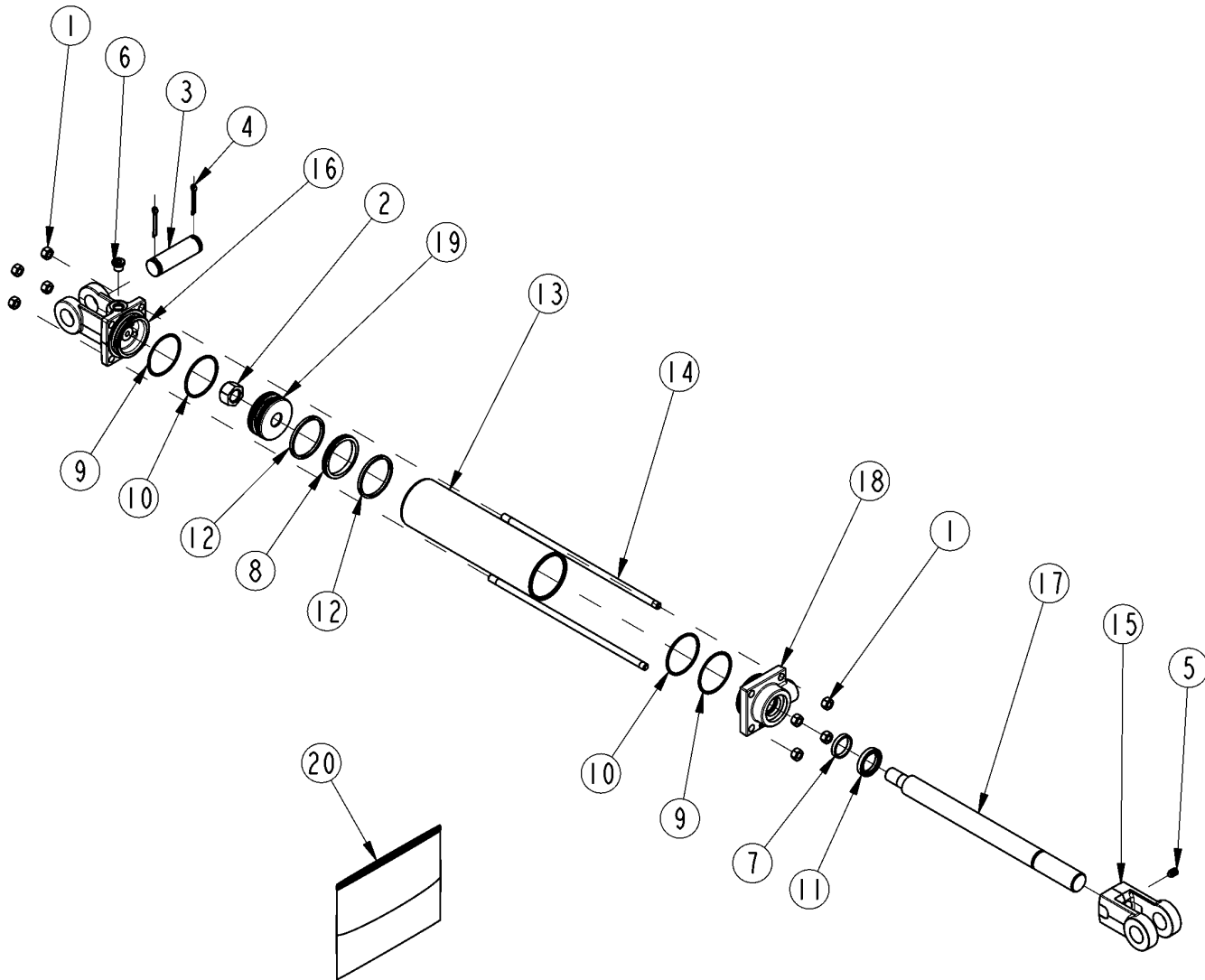
10219

Hydraulic Cylinder (810-200C) Midway**Applies to AFM4214**

Ref	Part No.	Part Description	Comments	Revision
	dwg10219	Drawing Image Number		
	810-200C	CYL 2.5X8X1.12 ROD (TIE)1 PIN		
1.	5M4124	MW TUBE 3 X 16 CYLINDER		
2.	2M4422	MW ROD 1-1/4 DIA. X 16 STROKE		
3.	1M6010	MW CLEVIS STD. DUTY		
4.	2A0012	MW NUT CLEVIS & TIE ROD		
5.	2A0006	REPL. BY 802-023C		
6.	7M4324	MW TIE ROD 3 X 16 CYLINDER		
7.	2A0014	MW TIE ROD NUT		
8.	3M4410	REPL. BY 3R1410		
9.		O-RING	Only found in seal kit 19	
10.		BACK-UP	Only found in seal kit 19	
11.		WIPER SEAL	Only found in seal kit 19	
12.		O-RING	Only found in seal kit 19	
13.	4M4104	MW PISTON 3" DIA.		
14.	6M4152	REP BY 6R1146		
15.	2A0024	MW PISTON NUT 1"-14		
16.		BACK-UP	Only found in seal kit 19	
17.	2A0208	MW CLEVIS PIN		
18.	2A0132	MW PIN CLIP		
19.	810-210C	SEAL KIT MW 2.5 CYL 3A3102	2nd revision	
19.	810-119C	RPBY 810-210C	Use up existing stock; revision 1	

Hydraulic Cylinder (810-200C) Red Lion

Applies to AFM4214



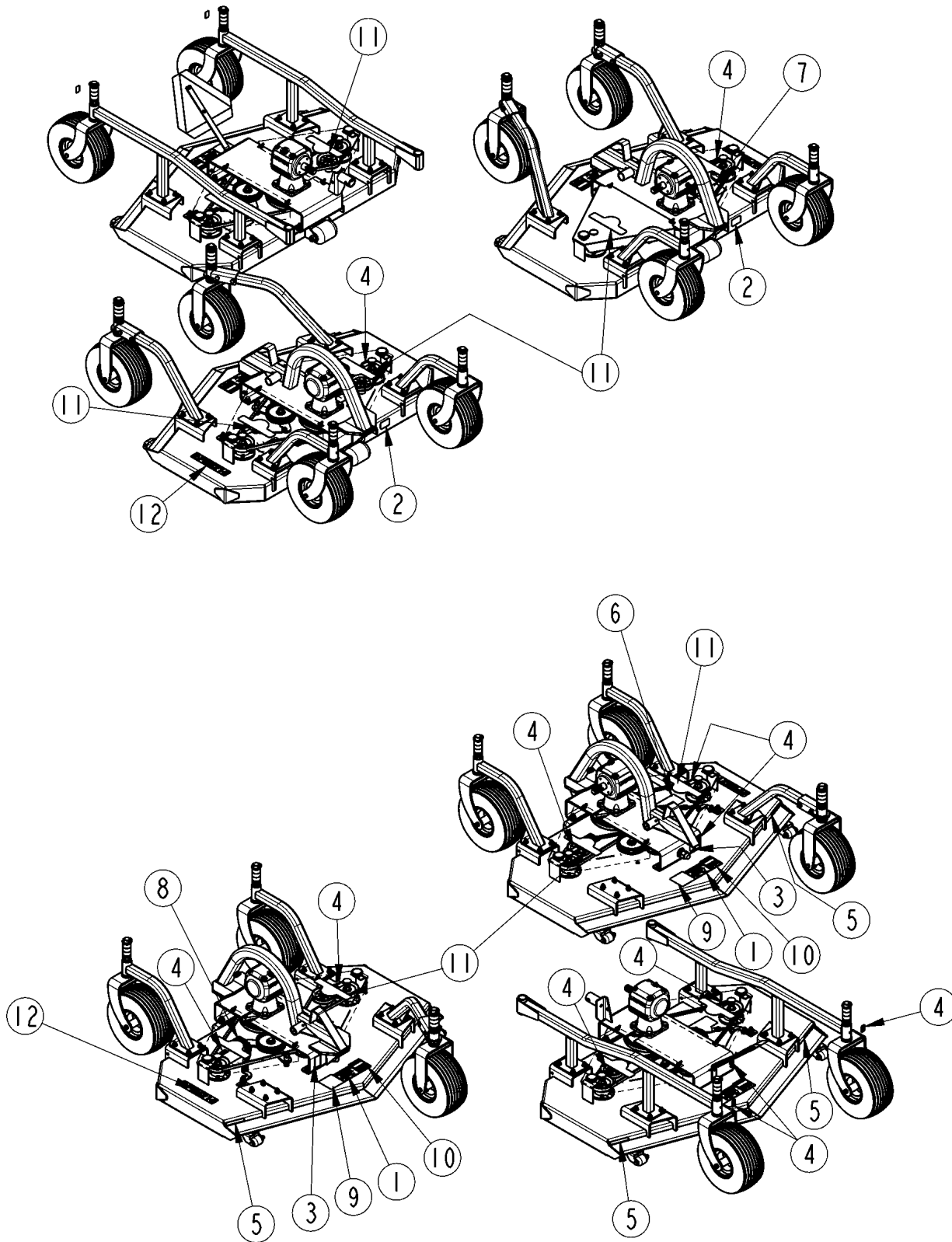
25901

Hydraulic Cylinder (810-200C) Red Lion**Applies to AFM4214**

Ref	Part No.	Part Description	Comments	Revision
	dwg25901	Drawing Image Number		
	810-200C	CYL 2.5X8X1.12 ROD (TIE)1 PIN *		
1.	803-014C	NUT HEX 3/8-16 PLT		
2.	130556	MON PISTON NUT		
3.	134953	LION PIN		
4.	135995	MON CLEVIS PIN COTTER		
5.	801-023C	SCREW SET SH 3/8-16X3/8 TYPE C		
6.	186561	PLUG 9/16-18UNF MORB SOCKET HD		
7.	N/A	MON ROD SEAL	Only Found in Kit #20	
8.	N/A	MON PISTON SEAL	Only Found in Kit #20	
9.	N/A	MON END CAP BACKUP WASHERS	Only Found in Kit #20	
10.	N/A	MON END CAP O-RING	Only Found in Kit #20	
11.	N/A	LION WIPER SEAL	Only Found in Kit #20	
12.	N/A	MON PISTON WEAR RING	Only Found in Kit #20	
13.	491668	LION CYL. TUBE 2.5 X 8		
14.	492218	LION TIE ROD 3/8, 8 CYL		
15.	492650	LION ROD CLEVIS 1 1/8-12UNF		
16.	492688	LION CLEVIS CAP 2.5, 9/16 ORB		
17.	492699	LION ROD 1.125 ASAE 8		
18.	492711	LION ROD CAP 2.5X1.125-9/16ORB		
19.	494768	MON PISTON		
20.	645004	MON SEALS REPAIR KIT		

Label Placement Decks

Applies to AFM4214



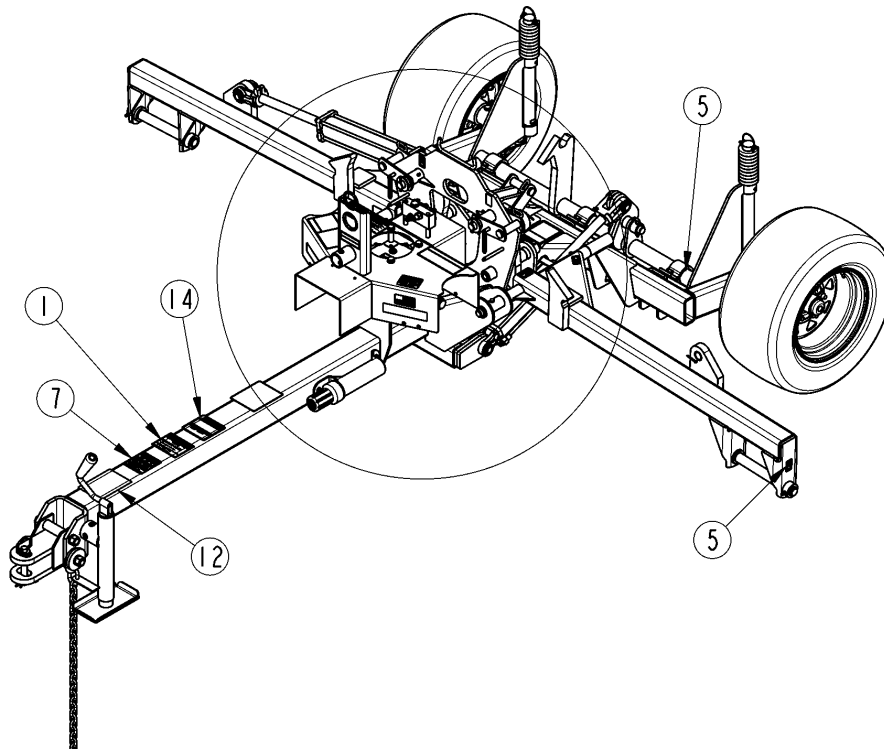
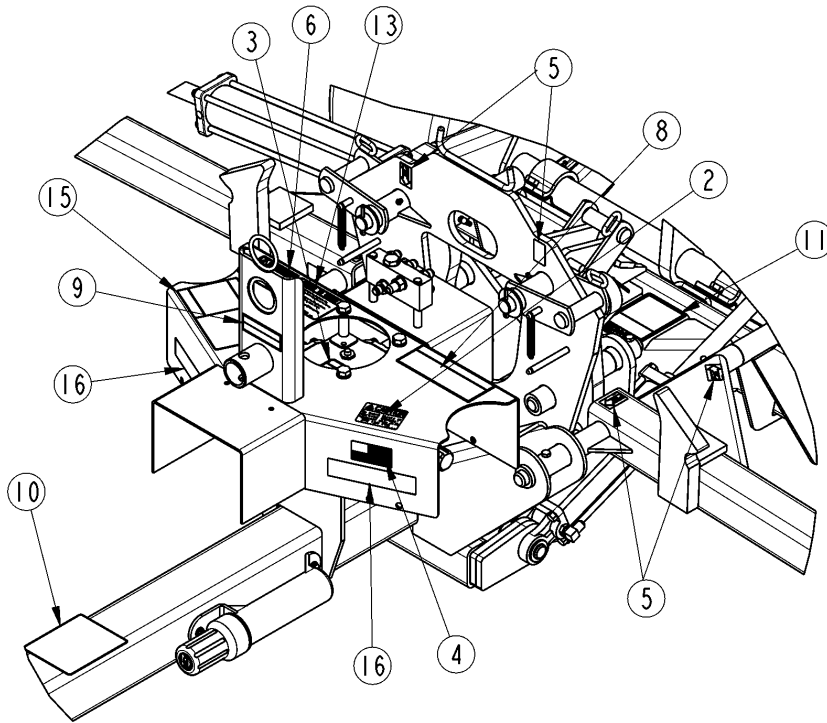
25927

Label Placement Decks**Applies to AFM4214**

Ref	Part No.	Part Description	Comments	Revision
	dwg25927	Drawing Image Number		
1.	818-045C	DECAL WARNING PINCH PT/CRUSH		
2.	818-229C	DECAL AMBER REFLECTOR		
3.	818-230C	DECAL RED REFLECTOR		
4.	818-298C	DECAL GREASE 25HRS BLACK/WHITE		
5.	818-335C	DECAL RED NARROW REFLECTOR		
6.	818-513C	DECAL CAUT V-BLT INST(RH&C)CCW		
7.	818-514C	DECAL CAUT V-BELT INST LH CW		
8.	818-543C	DECAL DANGER PD GUARD MISS SML		
9.	818-555C	DECAL DANGER ROTATE BLADE		
10.	818-556C	DECAL DANGER THROWN OBJ CUTTER		
11.	838-963C	DECAL LP 10" W/TREE BROWN/GOLD		
12.	848-068C	DECAL AFM4214 - BROWN	Beige Unit	
12.	848-069C	DECAL AFM4214 - GOLD	Green, Orange, Red & Blue Unit	

Label Placement Transport Frame

Applies to AFM4214



25928

Label Placement Transport Frame**Applies to AFM4214**

Ref	Part No.	Part Description	Comments	Revision
	dwg25928	Drawing Image Number		
1.	818-019C	DECAL WARNING NEG TONGUE WT		
2.	818-130C	DECAL CAUTION 540 RPM		
3.	818-187C	DECAL DANGER DRIVELINE SHIELD		
4.	818-190C	DECAL FLAG		
5.	818-298C	DECAL GREASE 25HRS BLACK/WHITE		
6.	818-337C	DECAL WARNING 20 MPH TRANS SML		
7.	818-339C	DECAL WARNING HIGH PRESSUR SML		
8.	818-351C	DECAL CAUTION TRANSP LOCK ENGD		
9.	818-353C	DECAL CAUTION TRANSPORT LOCK		
10.	818-488C	DECAL PTO MAINTENANCE CV		
11.	818-552C	DECAL DANGER PTO DRIVELINE		
12.	818-558C	DECAL WARNING GEN SAFE MOWER		
13.	818-560C	DECAL NOTICE TO OWNER-NO WARRA		
14.	818-561C	DECAL DANGER RAISED WING HAZAR		
15.	818-565C	DECAL DRIVELINE TIMING N/CLTCH		
16.	838-036C	DECAL LANDPRIDE 6"- BEIGE	Beige Unit	
16.	838-967C	DECAL LANDPRIDE 6" BROWN/GOLD	Green, Orange, Red & Blue Unit	



Part Number Index

The Part Number Index is a numeric index of all part numbers included in this manual. The index shows what page(s) the part is used on.

Part Number	Page	Part Number	Page	Part Number	Page	Part Number	Page
0.195.0300.00	65, 67	130146	63	2A0308-1	71	315-615H84	57
0.195.1300.00	65, 67	130556	75, 79	2A0578-1675	71	315-616S	57
0.195.2000.00	65, 67	134953	75, 79	2M3418	73	315-616S81	57
0.195.5000.00	65, 67	135995	75, 79	2M4422	77	315-616S82	57
0.195.6000.00	65, 67	140004	63	30-449S6B	15	315-616S83	57
0.259.7525.00	65, 67	140055	63	304149	31	315-616S84	57
0.278.7103.00	65, 67	1466000	33	310-094H	37, 39	315-618H	57
010180	63	1466001	35	310-095H	37, 39	315-618H81	57
019519	23	1466305	25, 33	310-224D	37, 39	315-618H82	57
020164	63	1466607	25, 35	310-248S	39	315-618H83	57
020166	63	1524902	19	310-251D	49, 51, 55, 57	315-618H84	57
020614	21, 29	1524905	27	310-252D	49, 51, 55, 57	315-643H	55
020617	23	1525057	27	310-300D	39	315-643H81	55
020672	23	1525072	19	310-331D	41, 43, 45	315-643H82	55
020692	31	1546096	25	310-359D	49, 51, 55, 57	315-643H83	55
030467	63	1548900	25	310-457D	37, 39	315-643H84	55
030512	63	1581036	25	310-630D	39	315-644H	57
040343	63	168556	31	310-631D	37	315-644H81	57
040345	63	1704027	19, 27	310-636D	37	315-644H82	57
041065	21, 29	1704029	19, 27	310-637D	39	315-644H83	57
041068	29	1705009	33, 35	312410	23	315-644H84	57
041180	31	1706029	25	315-103H	39	315-645H	57
043489	31	1706065	33	315-177H	13	315-645H81	57
044321	19, 21, 23, 25, 27, 29	1706085	35	315-178H	13	315-645H82	57
044439	21, 29	172-242D	37, 39	315-182H	13	315-645H83	57
045790	31	172758	23	315-183H	7	315-645H84	57
045793	31	175-060D	7	315-186H	7, 13	315-648H	51, 57
047680	21	175-061D	7	315-198H	13	315-648H81	51, 57
047825	31	1784210	19, 27	315-199H	37	315-648H82	51, 57
050170	63	1784211	19, 27	315-230H	13	315-648H83	51, 57
050172	63	1784212	19, 27	315-231H	13	315-648H84	51, 57
0511421-710	15	1786710	25	315-237D	49, 55	315-652H	51, 57
051172600710	15	1786711	25	315-245D	51, 57	315-652H81	51, 57
051551	31	1786801	25	315-246D	51, 57	315-652H82	51, 57
052511	29	1806010	33, 35	315-247D	51, 57	315-652H83	51, 57
053314	21, 29, 31	186561	75, 79	315-247S	11	315-652H84	51, 57
060133	63	1872901	19	315-248D	51, 57	315-653H	51, 57
060134	63	1872905	27	315-274H	9	315-653H81	51, 57
070218	63	1873901	19	315-343S	55, 57	315-653H82	51, 57
070219	63	1873905	27	315-344S	57	315-653H83	51, 57
070220	63	1876902	25	315-369H	9	315-653H84	51, 57
086584	29	1877902	25	315-370A	9	315-655S	37
087276	23	1884201	19, 27	315-375S	39	315-672H	43, 45
087279	21, 29	1884202	19, 27	315-377S	37	315-672H81	43, 45
090099	63	1884203	19, 27	315-383H	57	315-672H82	43, 45
1.195.7100.00	65, 67	1884205	19, 27	315-384H	55, 57	315-672H83	43, 45
10-097	61	1885702	25	315-420H	7	315-672H84	43, 45
1004020	19, 27	1885709	25	315-448H	17	315-676H	47
1004225	19, 25, 27, 35	1886802	25	315-450H	9	315-677H	47
1006020	25	196837	21, 29	315-487D	7	315-677H81	47
1006803	25	1D0005-1450	71	315-492D	69	315-677H82	47
1006827	25	1D0206-1675	71	315-494D	37	315-677H83	47
1006830	25	1D1003-5	71	315-563D	37, 39	315-677H84	47
1006831	25	1D1155-17	71	315-564D	13	315-678H	47
1006865	25	1D1401-250	71	315-565D	13	315-678H81	47
1014012	19, 27	1D1505-3	71	315-566D	43, 45	315-678H82	47
1134011	35	1D1551-16275	71	315-607H	49	315-678H83	47
1134012	35	1M6010	73, 77	315-607H81	49	315-678H84	47
1136006	33	200141	63	315-607H82	49	315-679S	55
1136007	33	200142	63	315-607H83	49	315-679S81	55
1136008	33, 35	2A0006	73, 77	315-607H84	49	315-679S82	55
1136009	33	2A0012	73, 77	315-608S	49	315-679S83	55
1136010	33, 35	2A0014	77	315-608S81	49	315-679S84	55
120126	63	2A0022	73	315-608S82	49	315-683H	43, 45
1213233	19, 27	2A0024	77	315-608S83	49	315-683H81	43, 45
1215733	25	2A0079-616	71	315-608S84	49	315-683H82	43, 45
1215735	25	2A0132	73, 77	315-615H	57	315-683H83	43, 45
1216907	33, 35	2A0208	73, 77	315-615H81	57	315-683H84	43, 45
1216914	33	2A0235-6	71	315-615H82	57	315-686H	41
		2A0246-12	71	315-615H83	57	315-686H81	41

Table of Contents Part Number Index



Part Number Index (continued)

Part Number	Page	Part Number	Page	Part Number	Page	Part Number	Page
315-686H82	41	392043	29	802-159C	63	807-068C	37, 39
315-686H83	41	392044	29	802-203C	41, 43, 45	807-176C	41
315-686H84	41	392050	21	802-205C	9	808-073C	37, 39
315-705S	51	392052	21	802-226C	17	808-074C	37, 39
315-706H	51	3M3406	73	802-229C	37, 39	808-075C	37, 39
315-707S	49, 51	3M4410	77	802-235C	9	808-335C	41, 43, 45
315-708H	49, 51	401-372D	9	802-239C	37, 39	810-119C	77
315-709S	51	491668	79	802-246C	41, 43, 45	810-150C	13, 69, 71, 73, 75
315-709S81	51	491672	75	802-269C	49, 51	810-177C	73
315-709S82	51	492107	61	802-280C	9	810-178C	71
315-709S83	51	492218	79	802-281C	37, 39	810-200C	7, 69, 77, 79
315-709S84	51	492222	75	802-283C	9	810-210C	77
315-710H	51	492647	75	802-308C	69	811-065C	69
315-710H81	51	492650	75, 79	802-345C	43, 45	811-170C	69
315-710H82	51	492688	75, 79	802-360C	9	811-394C	69
315-710H83	51	492699	79	802-451C	69	811-441C	69
315-710H84	51	492711	79	802-567C	37, 39	811-442C	69
315-712H	51	492724	75	802-689C	17	811-443C	69
315-712H81	51	494768	75, 79	802-695C	39	811-444C	69
315-712H82	51	4M3102	73	802-696C	37	811-445C	69
315-712H83	51	4M4104	77	8026	69	811-447C	69
315-712H84	51	5M3120	73	803-006C	69	811-495C	69
315-714H	51	5M4124	77	803-007C	7, 43, 45	811-694C	69
315-714H81	51	6040816	35	803-011C	13	814-052C	15
315-714H82	51	6041016	33	803-013C	55, 57	814-100C	15
315-714H83	51	6280313	25	803-014C	37, 39, 47, 69, 75, 79	814-118C	55, 58, 61
315-714H84	51	6330855	19, 27	803-019C	9, 47	814-357C	49, 52
315-716H	51	6330860	19, 27	803-020C	49, 51	815-052C	15
315-716H81	51	6331070	25	803-022C	37, 39, 41, 43, 45	815-104C	55, 58
315-716H82	51	6331080	25	803-027C	9	816-014C	15, 55, 58
315-716H83	51	645004	75, 79	803-037C	41, 43, 45	816-063C	37, 39
315-716H84	51	6560006	19, 25, 27	803-038C	9, 43, 45	816-088C	15
315-733D	49, 55	6821279	33	803-053C	15, 55, 58	816-298C	47
315-743D	69	6M3118	73	803-095C	41, 43, 45	816-504C	9
315-753D	9	6M4152	77	803-114C	39, 47	817-028C	37, 39
315-754D	9	7M3320	73	803-115C	37, 39	817-082C	47
315-768D	55, 57	7M4324	77	803-119C	37, 39	817-195C	47
315-821D	9	8.0.9.00026	65, 67	803-148C	9	817-259C	47
315-963D	47	8.0.9.00102	65, 67	803-159C	15, 55, 58	818-019C	83
315-971D	47	8.1.1.00501	65, 67	803-169C	49, 52, 55, 58	818-045C	81
316201	23	8.2.2.01144	65, 67	803-228C	37	818-055C	41
338531	31	8.3.2.00409	65, 67	803-231C	47	818-130C	83
341586	23	8.4.7.00516	65, 67	803-293C	41	818-187C	83
341953	31	8.5.1.00680	65, 67	804-006C	9, 69	818-190C	83
342221	23	8.5.2.00131	65, 67	804-007C	9	818-229C	81
355154	21, 29	8.5.3.00955	65, 67	804-009C	63	818-230C	81
355155	23	8.6.5.00006	65, 67	804-012C	69	818-298C	81, 83
357-487D	49, 51	8.7.0.00744	65, 67	804-013C	47, 69	818-335C	81
365305	21, 23, 29	8.7.3.00055	65, 67	804-014C	37, 39	818-337C	83
365722	23	8.7.3.00081	65, 67	804-015C	7, 17, 49, 52	818-339C	83
377234	21, 29	800-001C	7, 37, 39, 49, 51, 55, 57	804-016C	7, 49, 52, 55, 58	818-351C	83
377240	21, 29	800-060C	69	804-019C	9	818-353C	83
377336	23	800-080C	7, 13, 43, 45	804-022C	37, 39, 41, 43, 45	818-488C	83
380371	21, 23, 29	800-099C	37, 39	804-023C	9	818-513C	81
380882	23	800-130C	37, 39	804-025C	15, 55, 58	818-514C	81
380905	21	800-136C	13	804-028C	9	818-540C	19, 21, 23, 25, 27, 29
380907	23	800-372C	37, 39	804-029C	7, 41, 43, 45	818-543C	81
381495	31	801-018C	41	804-093C	37, 39	818-552C	19, 21, 23, 25, 27, 29, 83
381908	21, 23	801-023C	75, 79	804-110C	37, 39	818-555C	81
381957	31	802-005C	41	805-004C	7, 13, 69	818-556C	81
383231	23	802-017C	47	805-015C	49, 52, 55, 58	818-558C	83
384954	29	802-041C	47	805-017C	7, 13	818-560C	83
385954	23	802-060C	9	805-045C	7, 13, 15, 55, 58	818-561C	83
386083	23	802-079C	69	805-065C	49, 55	818-565C	83
386488	29	802-091C	7, 49, 51, 55, 57	805-081C	9	822-006C	37, 39
387266	21	802-097C	43, 45	805-088C	9, 69	822-030C	15, 55, 58
387332	21	802-099C	9, 51, 57	805-131C	7, 13	822-080C	15, 55, 58
390186	23	802-114C	55, 57	805-255C	49, 55	822-161C	37, 39
390289	21	802-115C	13	807-023C	69	822-166C	65, 67
390404	21, 23, 29	802-152C	7	807-026C	7, 13		
392042	29						



Part Number Index (continued)

Part Number	Page	Part Number	Page
826-111C	17, 21	dwg25913	37
826-143C	17, 23	dwg25914	39
826-144C	17, 29	dwg25915	41
826-274C	17, 63	dwg25916	43
826-326C	43, 67	dwg25917	45
826-326C81	43	dwg25918	47
826-326C82	43	dwg25921	49
826-326C83	43	dwg25923	51
826-326C84	43	dwg25924	55
826-327C	41, 45, 65	dwg25925	57
826-327C81	41, 45	dwg25926	61
826-327C82	41, 45	dwg25927	81
826-327C83	41, 45	dwg25928	83
826-327C84	41, 45	N/A	15, 75, 79
826-370C	17, 25	TR-412	61
826-371C	17, 19	U0.195.7101.00	65, 67
826-374C	17, 27		
826-487C	41, 43, 45		
826-488C	41, 43, 45		
838-036C	83		
838-963C	81		
838-967C	83		
848-068C	81		
848-069C	81		
890-005C	7, 13		
890-118C	9		
890-122C	43, 45		
890-171C	39		
890-182C	9		
890-202C	49, 52, 55, 58		
890-204C	39		
890-278C	13		
890-332C	11		
890-337C	11		
890-375C	39		
890-377C	37		
890-378C	37		
890-379C	37		
890-589C	11		
890-614C	15, 55, 58		
890-702C	39		
890-703C	37		
9190601	25		
990-109R	37, 39		
A.248.500	65, 67		
A244.501	65, 67		
B0-47	15		
BO-47	55, 58		
dwg10219	77		
dwg10600	31		
dwg11421	71, 73		
dwg13449	21		
dwg13552	11		
dwg13562	69		
dwg13589	15		
dwg13812	23		
dwg14028	29		
dwg18259	63		
dwg19549	67		
dwg19550	65		
dwg22022	19		
dwg22023	25		
dwg22024	27		
dwg23887	33		
dwg23890	35		
dwg25899	75		
dwg25901	79		
dwg25909	7		
dwg25910	9		
dwg25911	13		
dwg25912	17		

This Page Intentionally Left Blank



Great Plains Manufacturing, Inc.

Corporate Office: P.O. Box 5060
Salina, Kansas 67402-5060 USA

www.landpride.com
